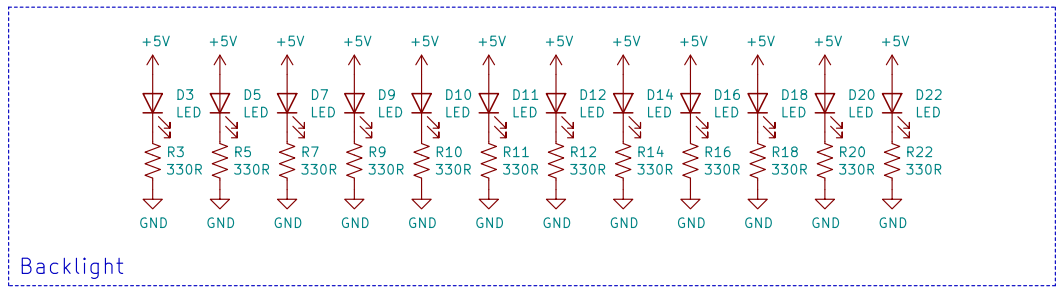
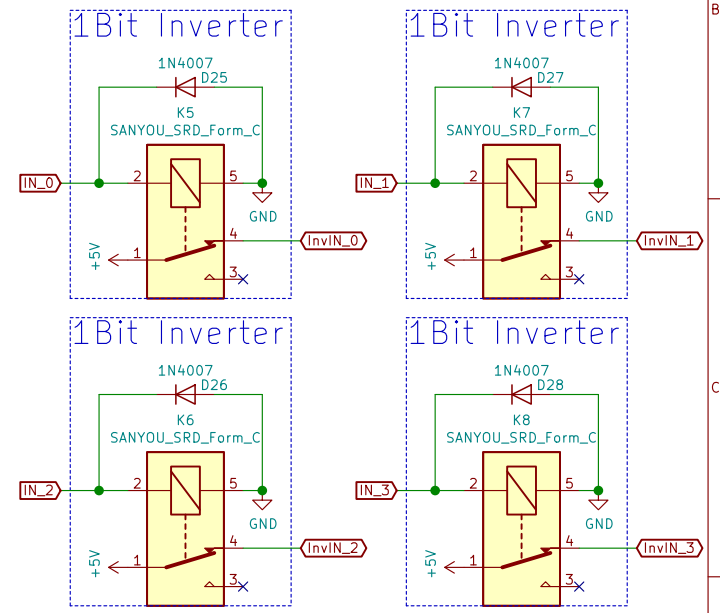
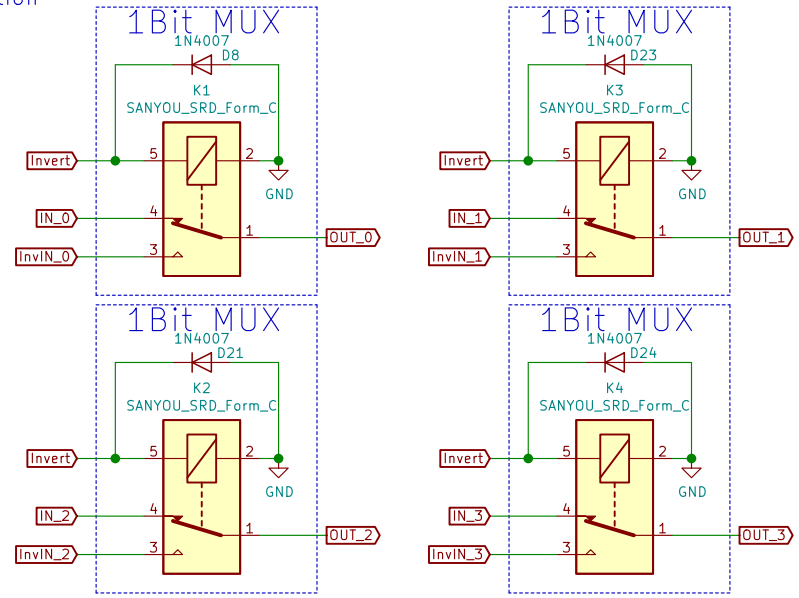
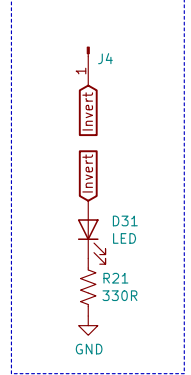


Invert_LED_Indication



| | |
|---|------------------|
| Maximilian Noppel | |
| nopx industries | |
| Sheet: / | |
| File: 4BitControlledInverter.sch | |
| Title: 4BitControlledInverter | |
| Size: A4 | Date: 2020-02-27 |
| KiCad E.D.A. kicad 5.1.5-52549c584ubuntu18.04.1 | |
| Rev: 1 | |
| Id: 1/1 | |