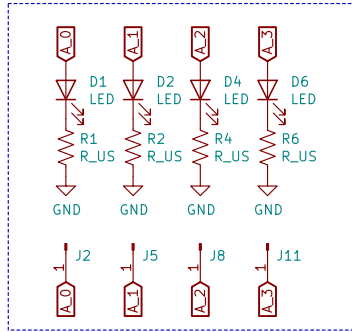
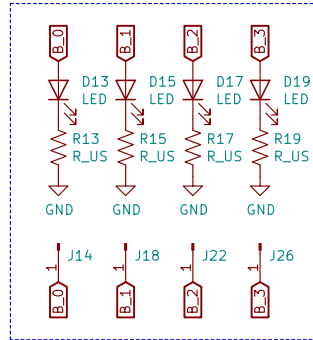


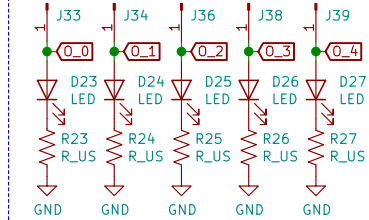
A[0:3]



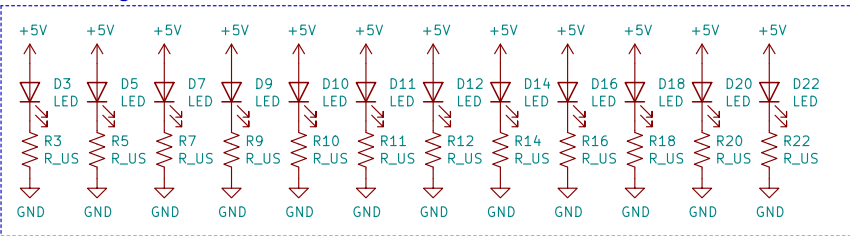
B[0:3]



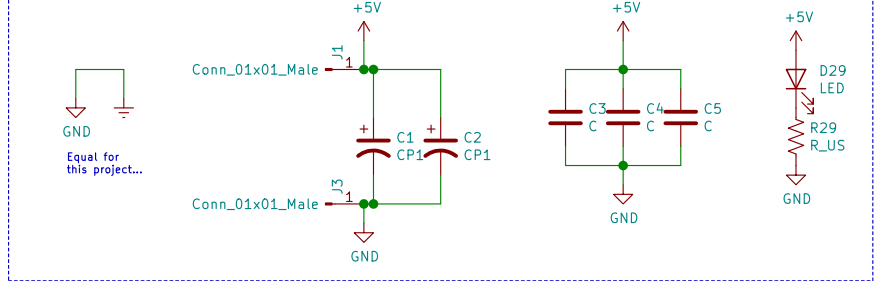
OUT[0:4]



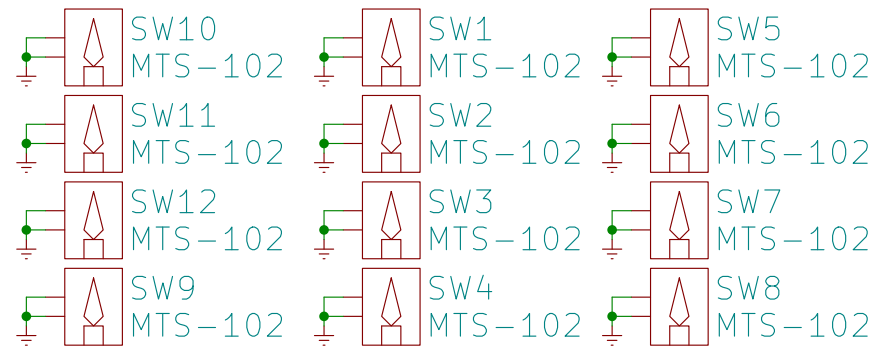
Backlight



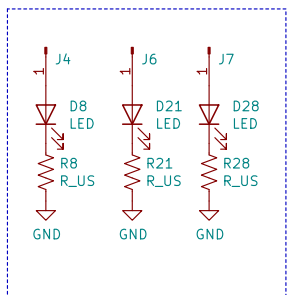
PowerSupply



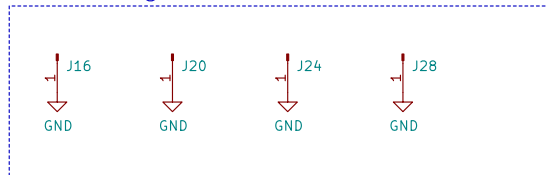
Holes for switches



LED Indication for "Inv,+1 and reserved"



MountingHoles



Maximilian Noppel
nopx industries

Sheet: /
 File: ControlPanel.sch

Title: ControlPanel

Size: A4 Date: 2020-02-27
 KiCad E.D.A. kicad 5.1.5-52549c584ubuntu18.04.1

Rev: 1
 Id: 1/1