

EuroTwo OnePiece rev1

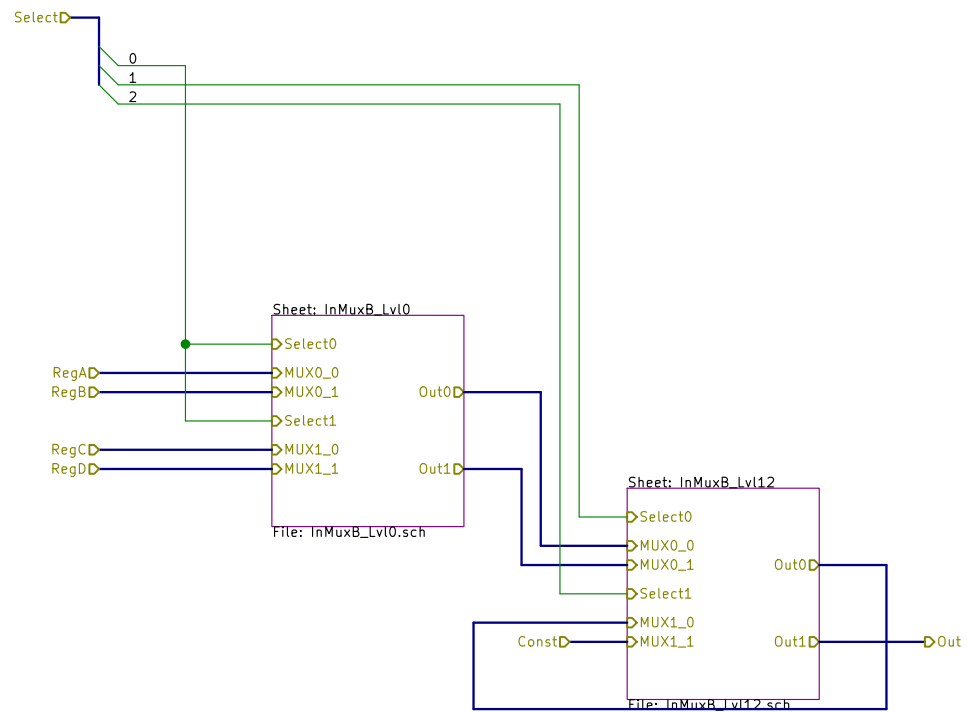
nopx industries

Sheet: /
File: OnePiece_rev1.sch

Title: EuroTwo OnePiece

Size: A4 Date: 2020-04-28
KiCad E.D.A. kicad 5.1.5-52549c586ubuntu18.04.1

Rev: 1
Id: 1/35



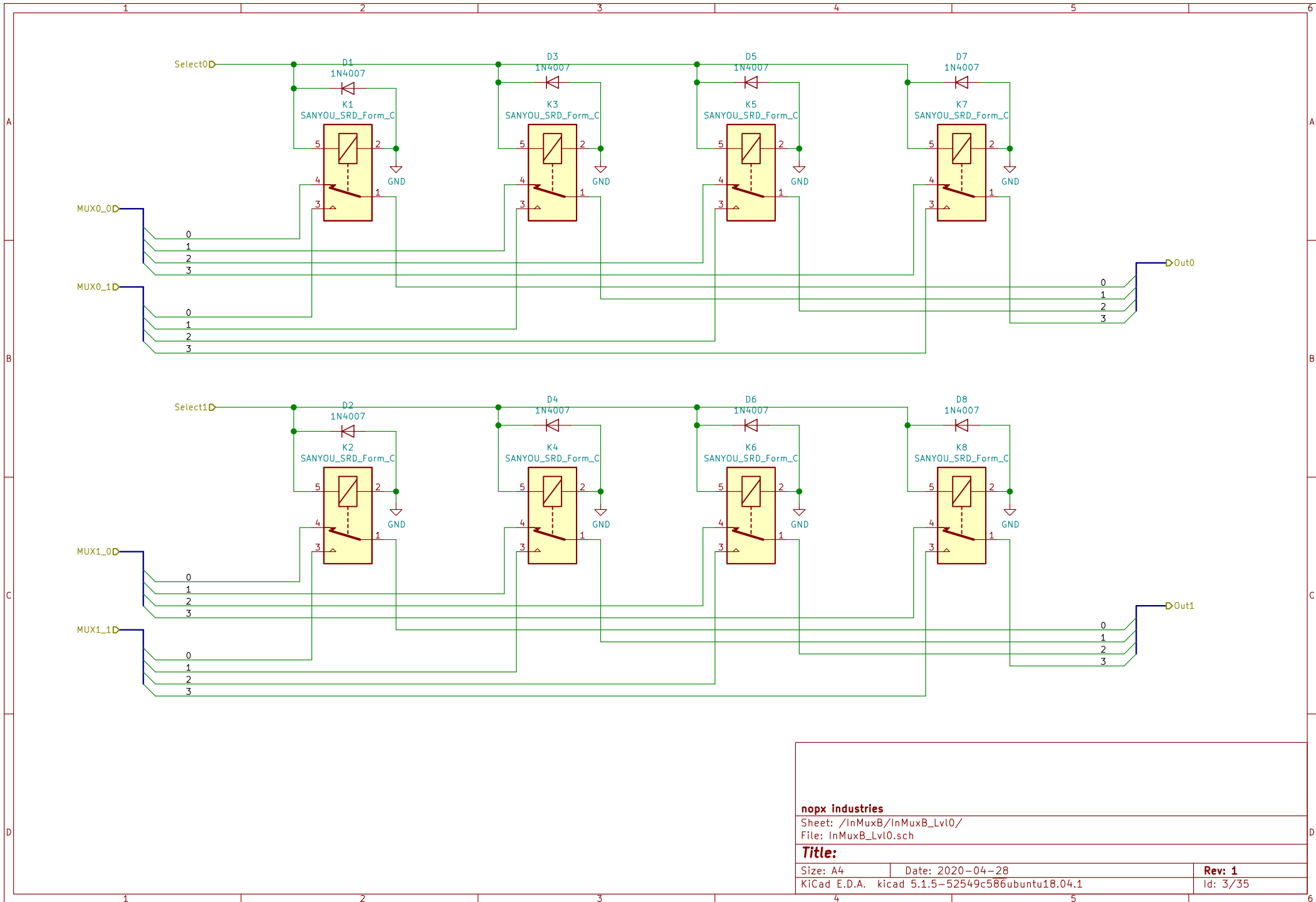
nopx industries

Sheet: /InMuxB/
File: InMuxB.sch

Title: InMuxB

Size: A4 Date: 2020-04-28
KiCad E.D.A. kicad 5.1.5-52549c586ubuntu18.04.1

Rev: 1
Id: 2/35



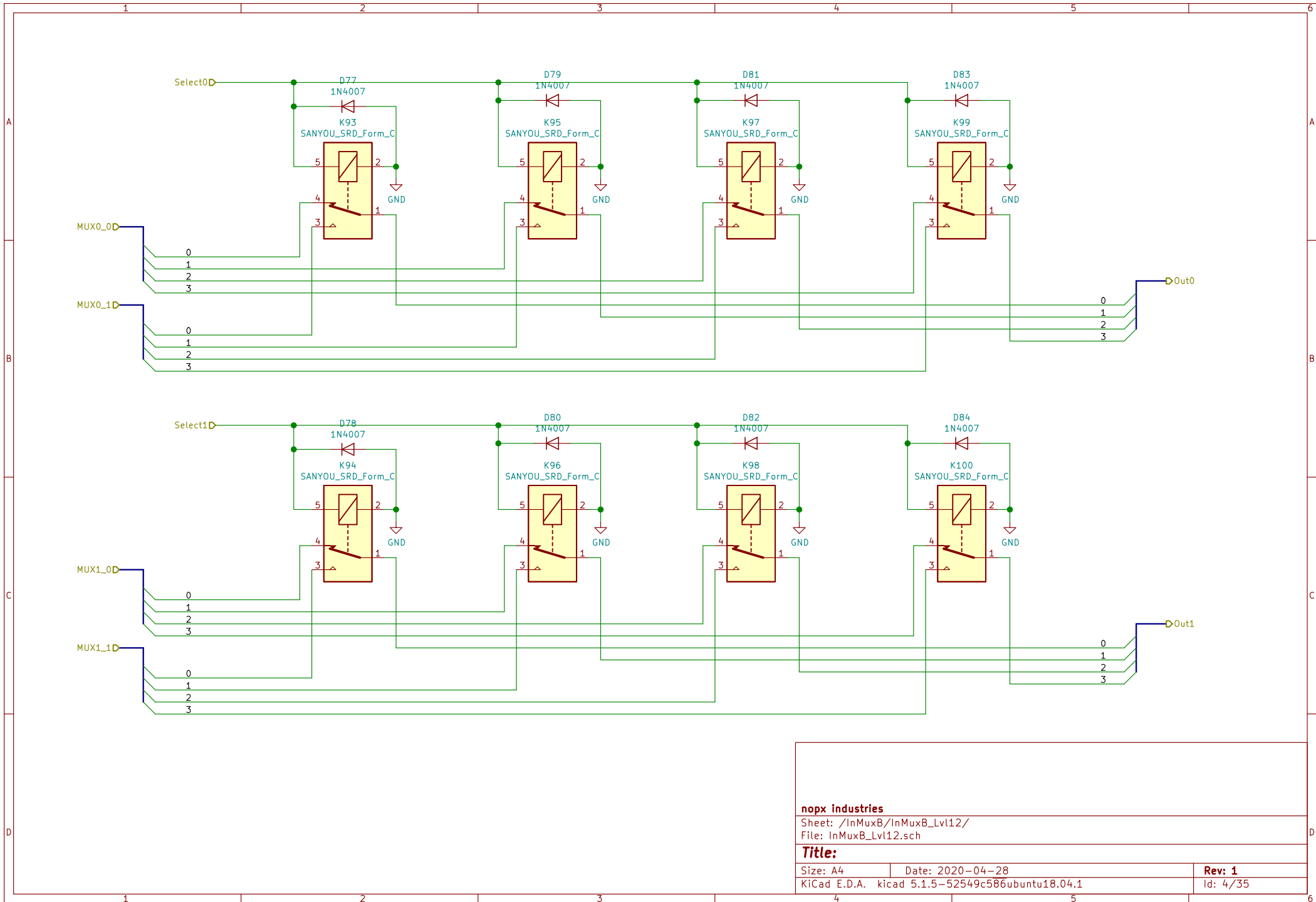
nopx industries

Sheet: /InMuxB/InMuxB_Lvl0/
File: InMuxB_Lvl0.sch

Title:

Size: A4 Date: 2020-04-28
KiCad E.D.A. kicad 5.1.5-52549c586ubuntu18.04.1

Rev: 1
Id: 3/35



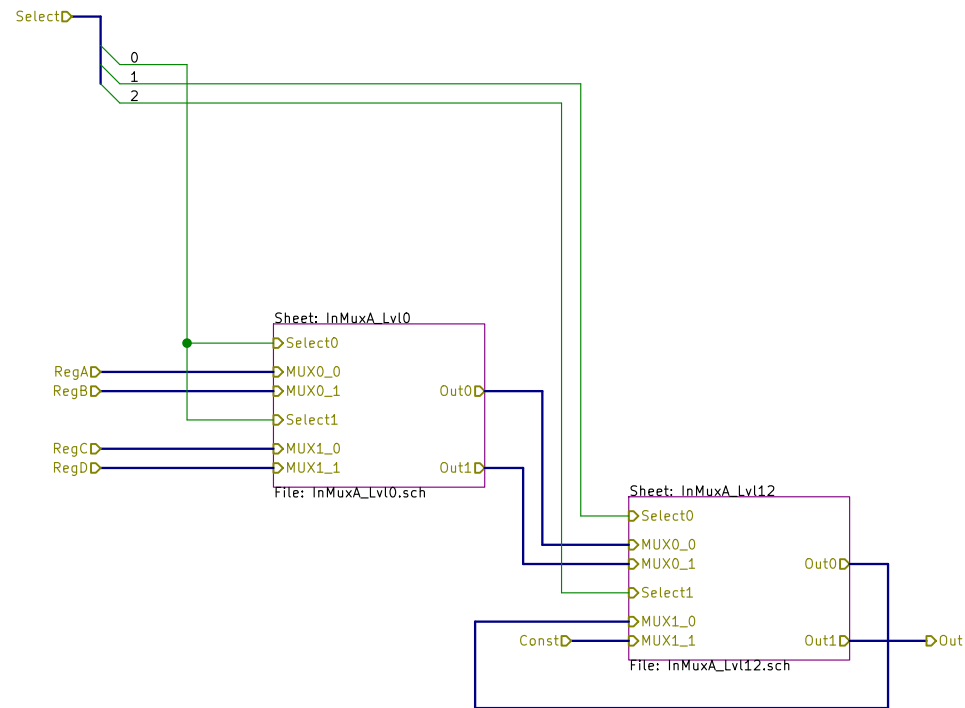
nopx industries

Sheet: /InMuxB/InMuxB_Lvl12/
 File: InMuxB_Lvl12.sch

Title:

Size: A4 Date: 2020-04-28
 KiCad E.D.A. kicad 5.1.5-52549c586ubuntu18.04.1

Rev: 1
 Id: 4/35



nopx industries

Sheet: /InMuxA/
File: InMuxA.sch

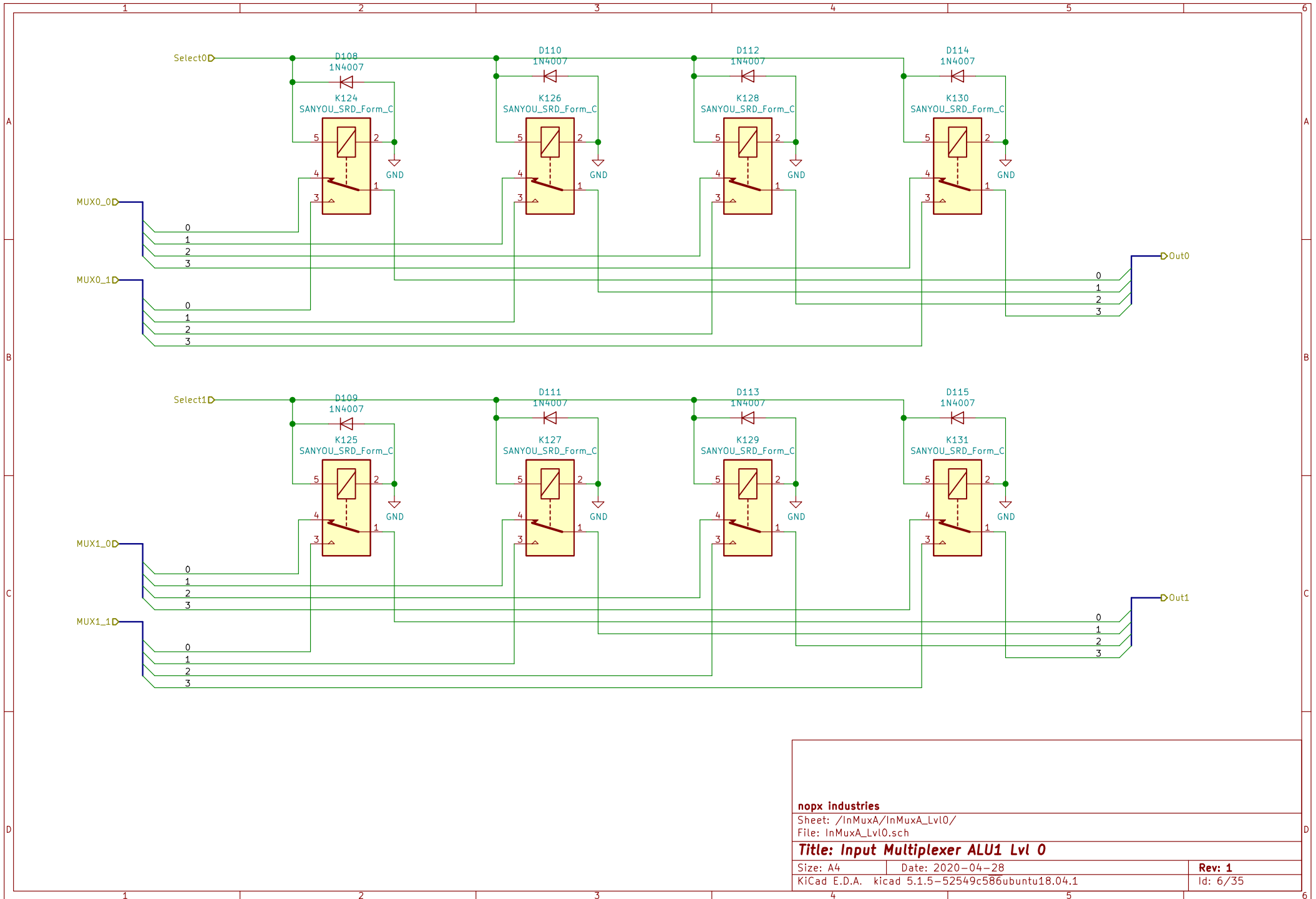
Title: Input Multiplexer ALU1

Size: A4 Date: 2020-04-28

KiCad E.D.A. kicad 5.1.5-52549c586ubuntu18.04.1

Rev: 1

Id: 5/35



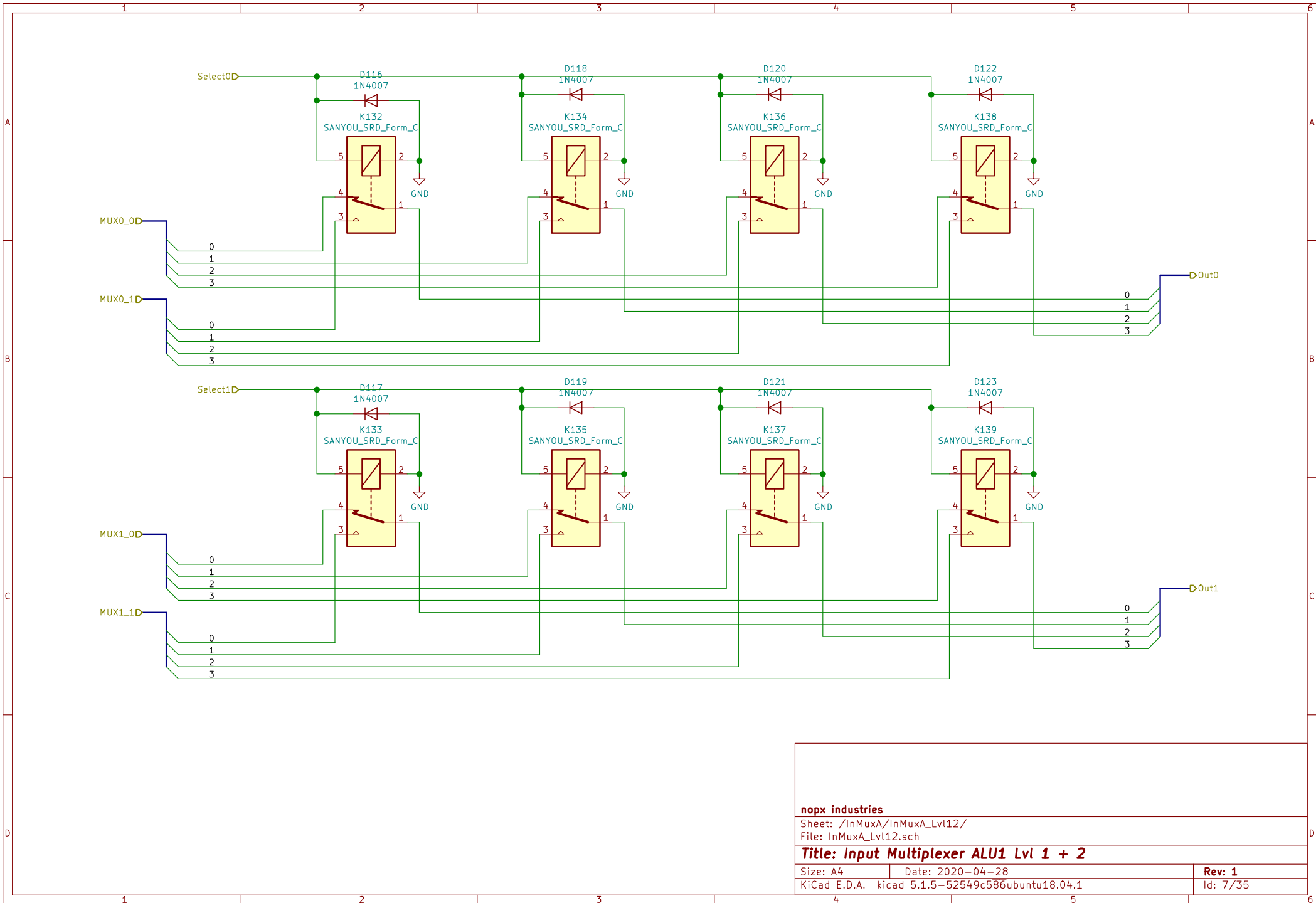
nopx industries

Sheet: /InMuxA/InMuxA_Lvl0/
File: InMuxA_Lvl0.sch

Title: Input Multiplexer ALU1 Lvl 0

Size: A4 Date: 2020-04-28
KiCad E.D.A. kicad 5.1.5-52549c586ubuntu18.04.1

Rev: 1
Id: 6/35



nopx industries

Sheet: /InMuxA/InMuxA_Lvl12/

File: InMuxA_Lvl12.sch

Title: Input Multiplexer ALU1 Lvl 1 + 2

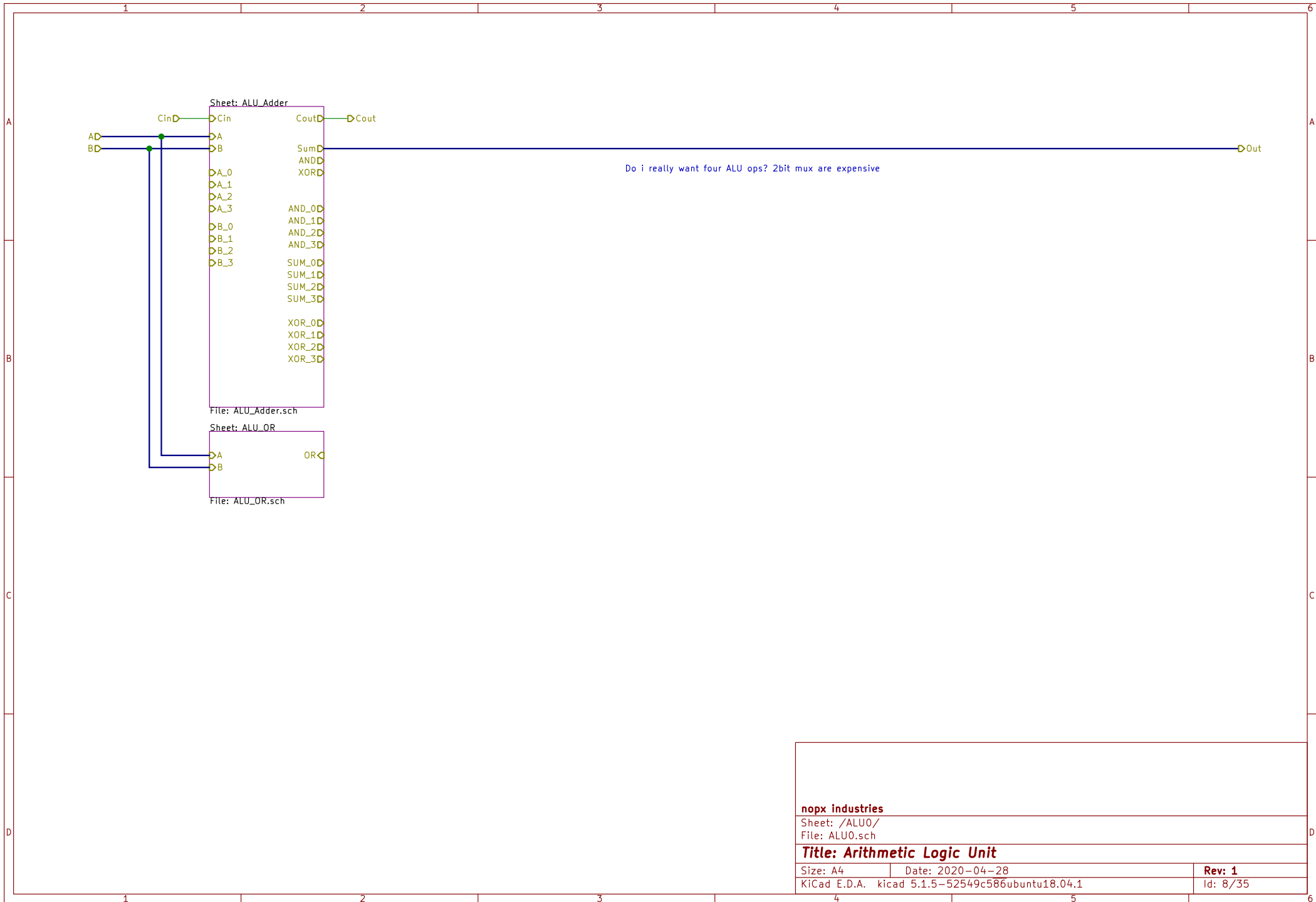
Size: A4

Date: 2020-04-28

Rev: 1

KiCad E.D.A. kicad 5.1.5-52549c586ubuntu18.04.1

Id: 7/35



nopx industries

Sheet: /ALU0/

File: ALU0.sch

Title: Arithmetic Logic Unit

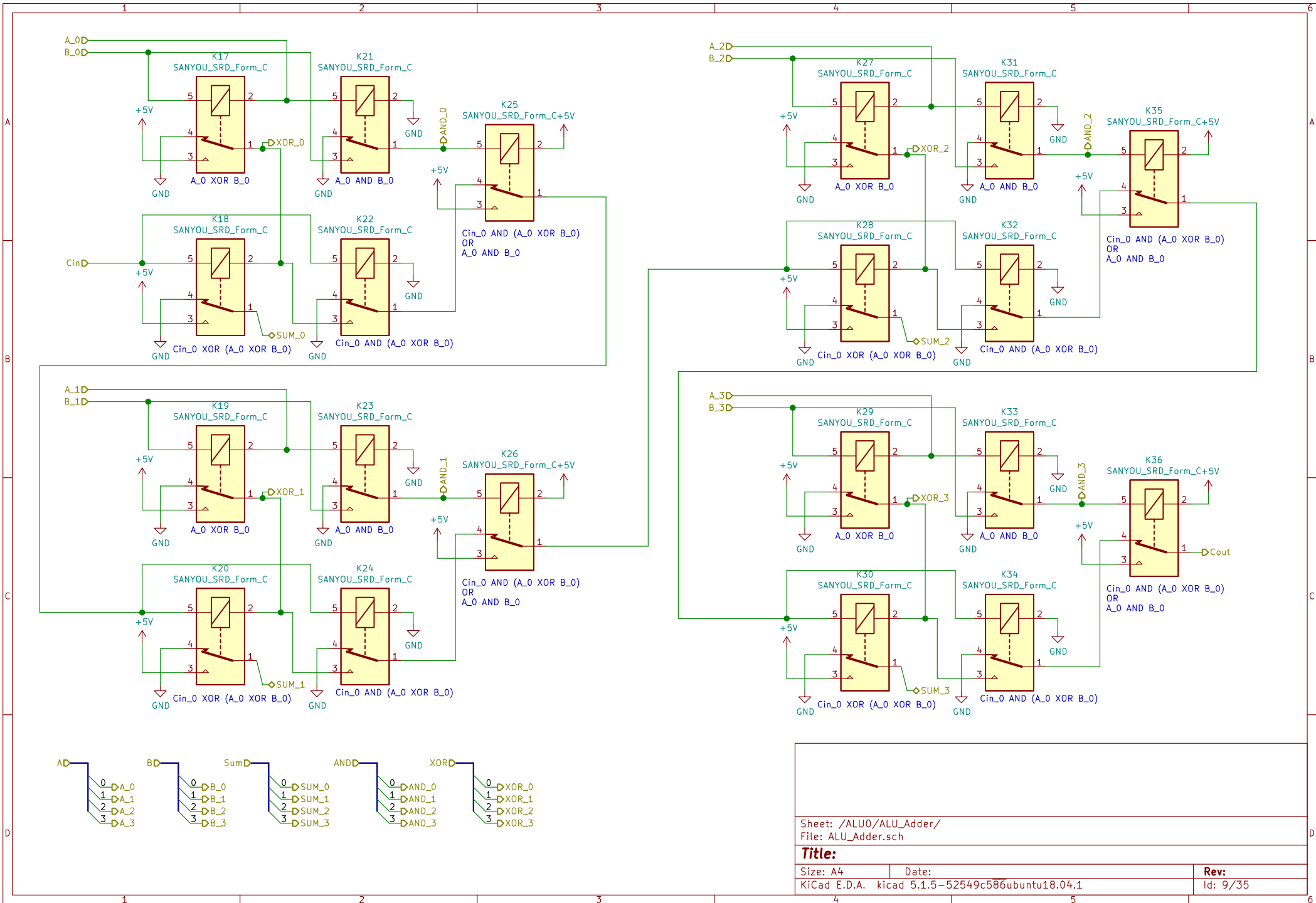
Size: A4

Date: 2020-04-28

Rev: 1

KiCad E.D.A. kicad 5.1.5-52549c586ubuntu18.04.1

Id: 8/35



Sheet: /ALU0/ALU_Adder/
File: ALU_Adder.sch

Title:

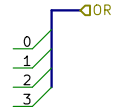
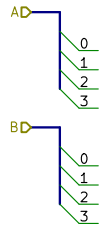
Size: A4

Date:

KiCad E.D.A. kicad 5.1.5-52549c586ubuntu18.04.1

Rev:

Id: 9/35



OR gates are expensive... I think about leaving them out!

Sheet: /ALU0/ALU_OR/
File: ALU_OR.sch

Title:

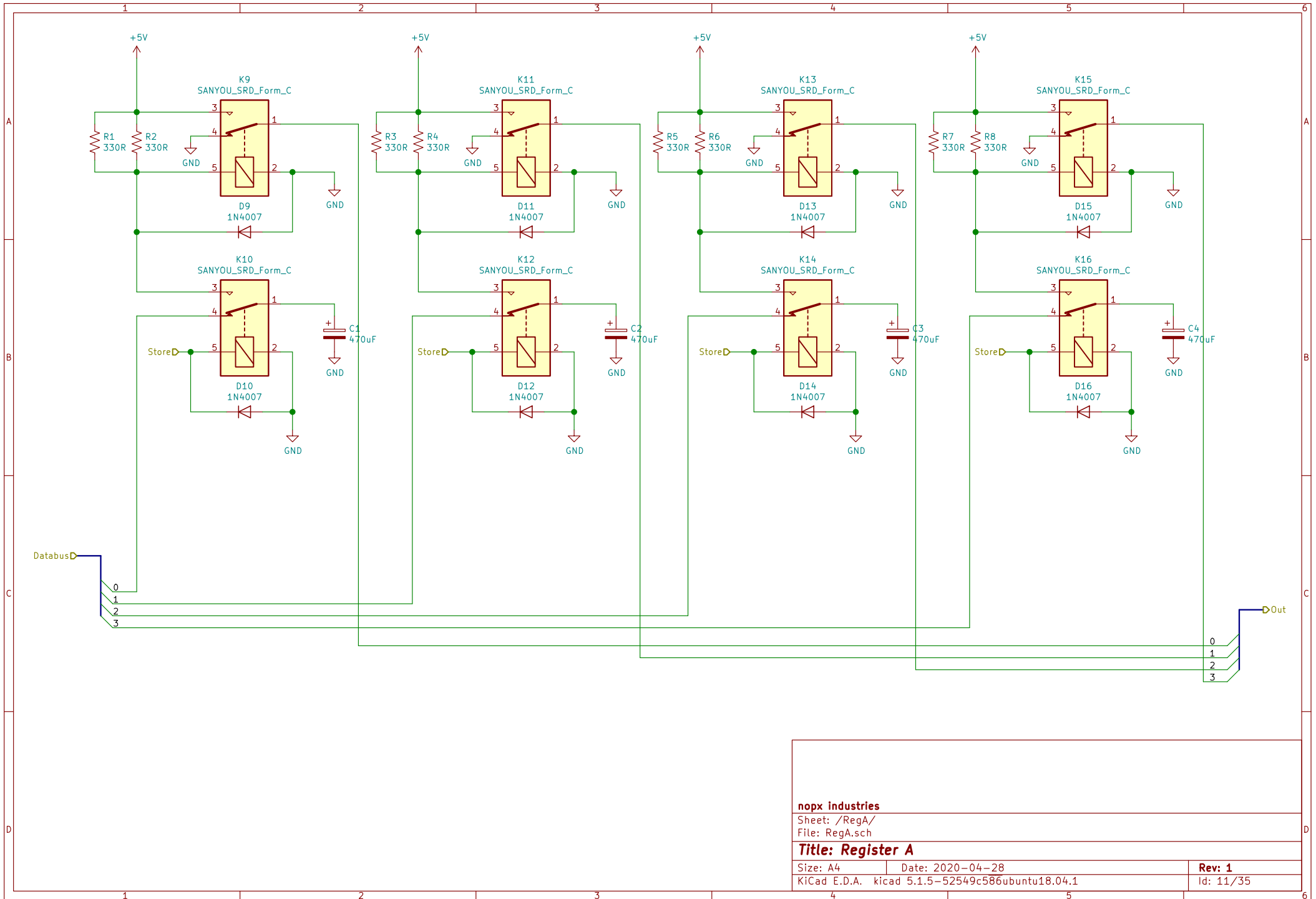
Size: A4

Date:

KiCad E.D.A. kicad 5.1.5-52549c586ubuntu18.04.1

Rev:

Id: 10/35



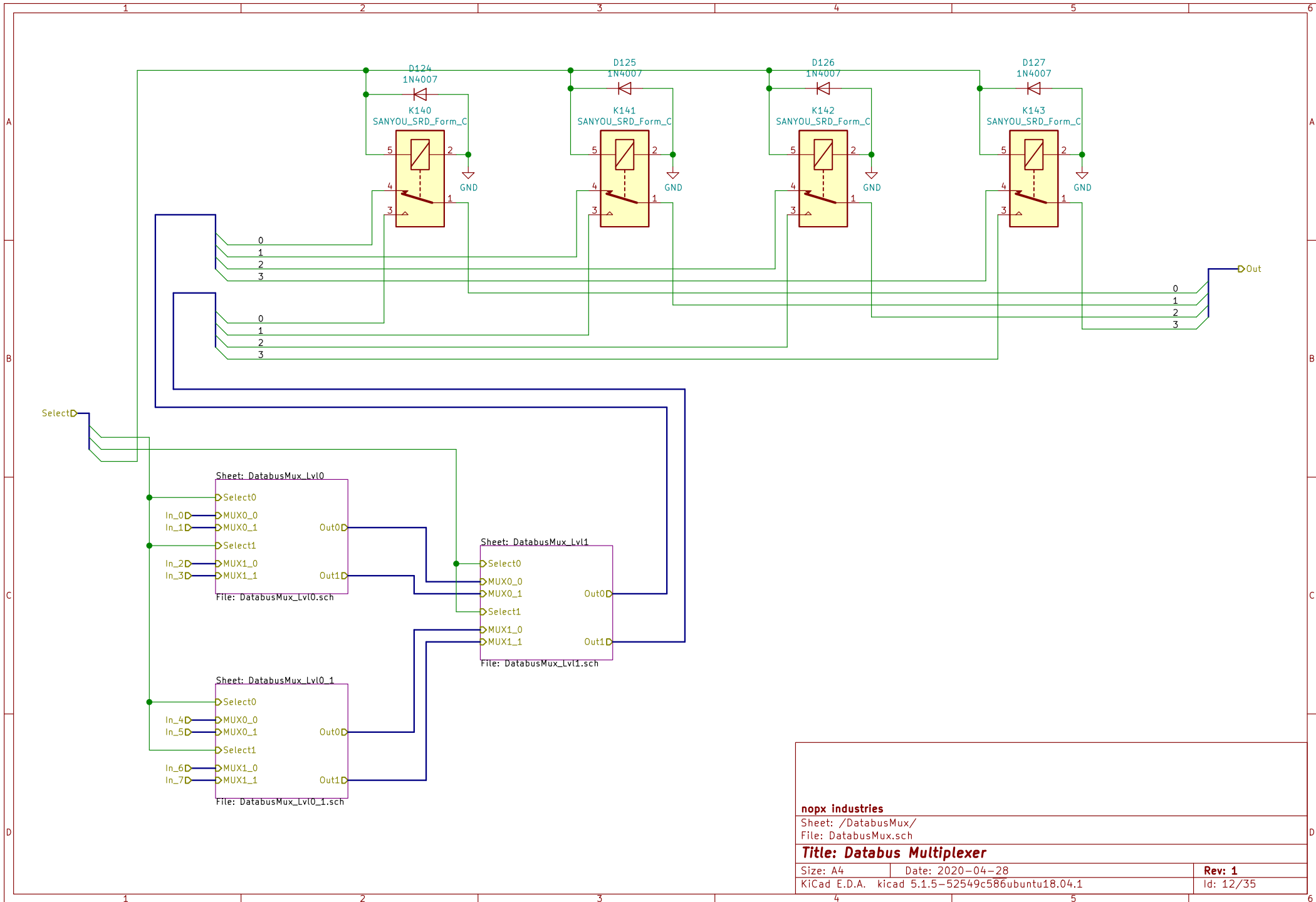
nopx industries

Sheet: /RegA/
File: RegA.sch

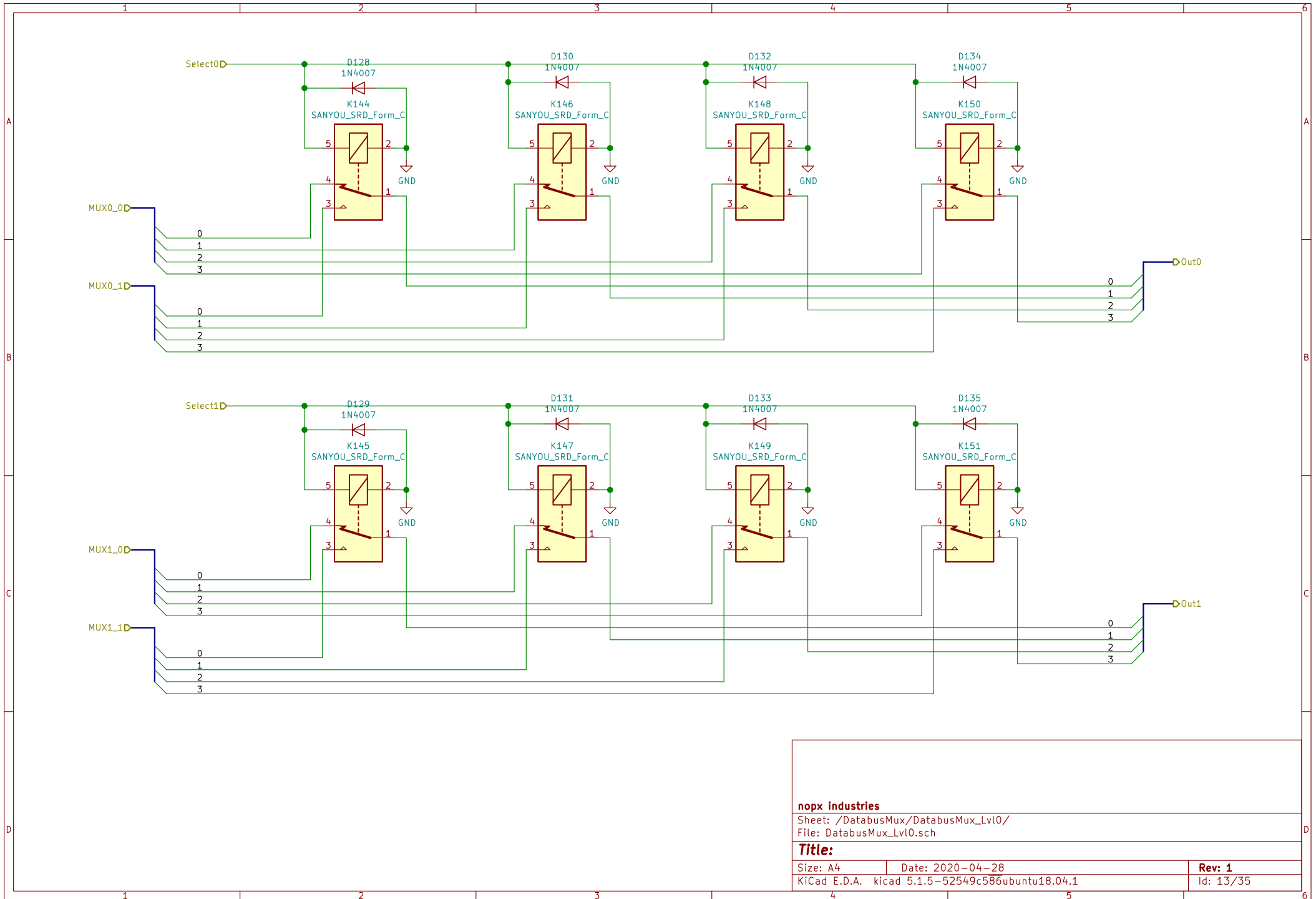
Title: Register A

Size: A4 Date: 2020-04-28
KiCad E.D.A. kicad 5.1.5-52549c586ubuntu18.04.1

Rev: 1
Id: 11/35



nopx industries	
Sheet: /DatabusMux/	
File: DatabusMux.sch	
Title: Databus Multiplexer	
Size: A4	Date: 2020-04-28
KiCad E.D.A. kicad 5.1.5-52549c586ubuntu18.04.1	Rev: 1
	Id: 12/35



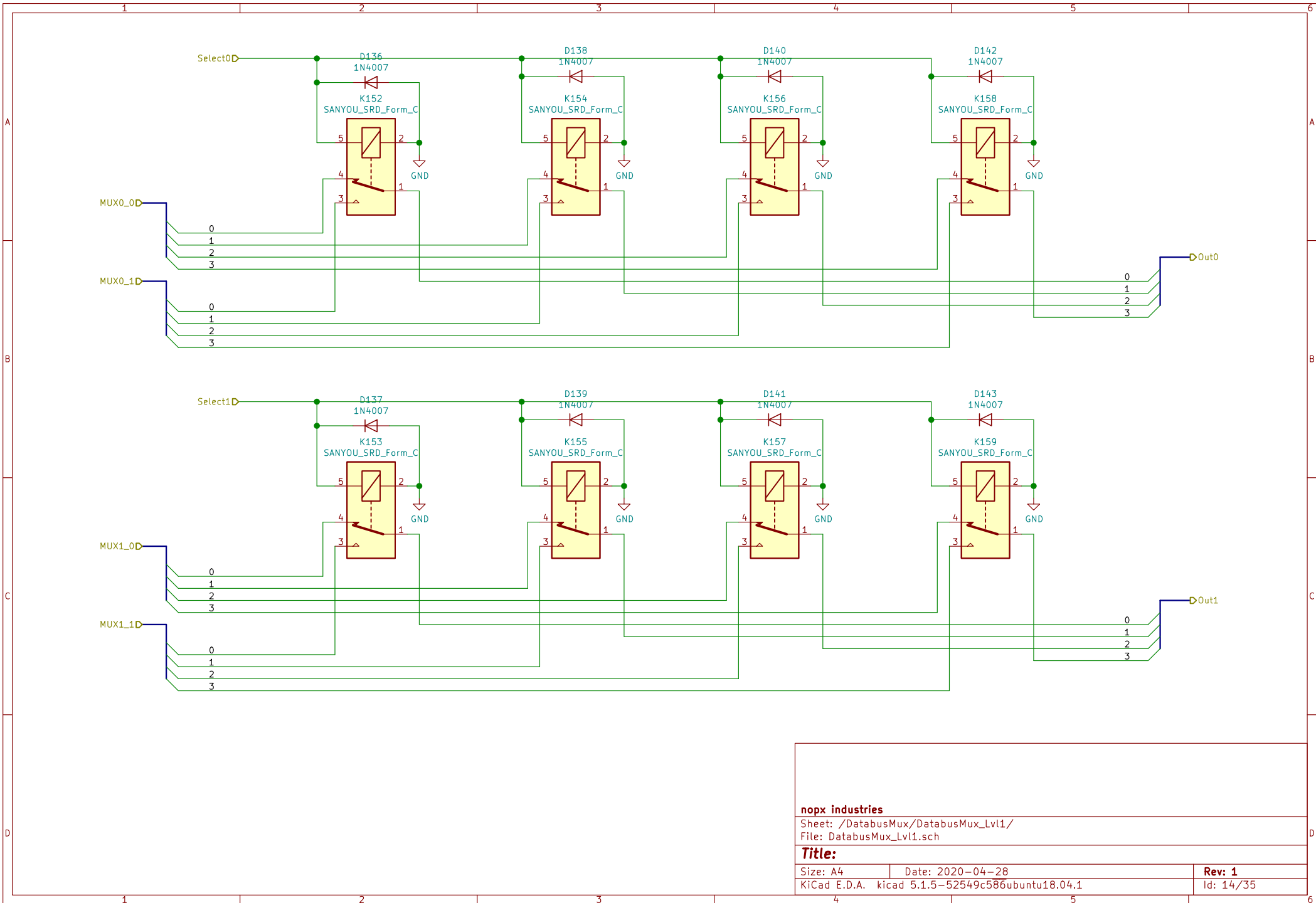
nopx industries

Sheet: /DatabusMux/DatabusMux_Lvl0/
File: DatabusMux_Lvl0.sch

Title:

Size: A4 Date: 2020-04-28
KiCad E.D.A. kicad 5.1.5-52549c586ubuntu18.04.1

Rev: 1
Id: 13/35



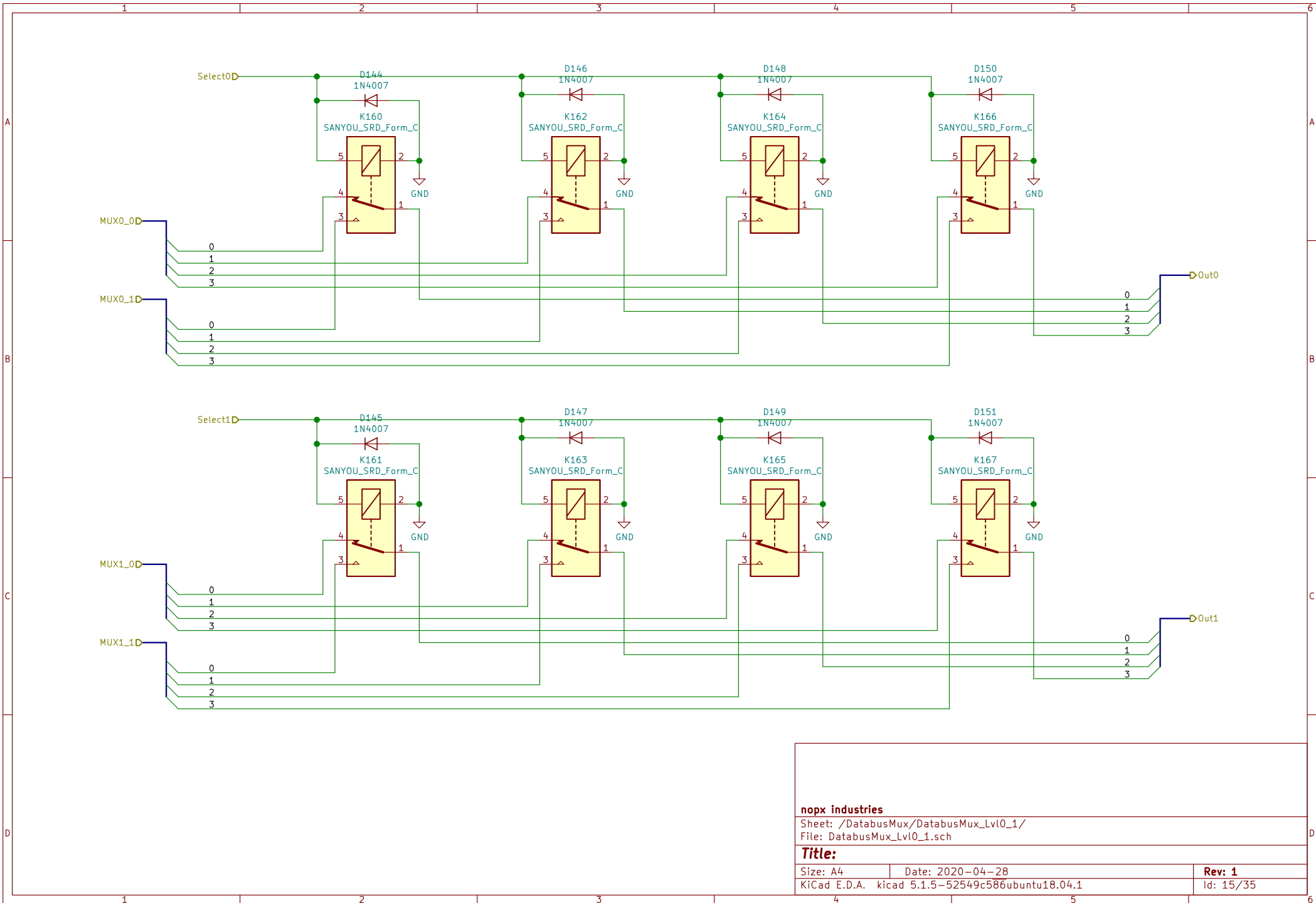
nopx industries

Sheet: /DatabusMux/DatabusMux_Lvl1/
File: DatabusMux_Lvl1.sch

Title:

Size: A4 Date: 2020-04-28
KiCad E.D.A. kicad 5.1.5-52549c586ubuntu18.04.1

Rev: 1
Id: 14/35



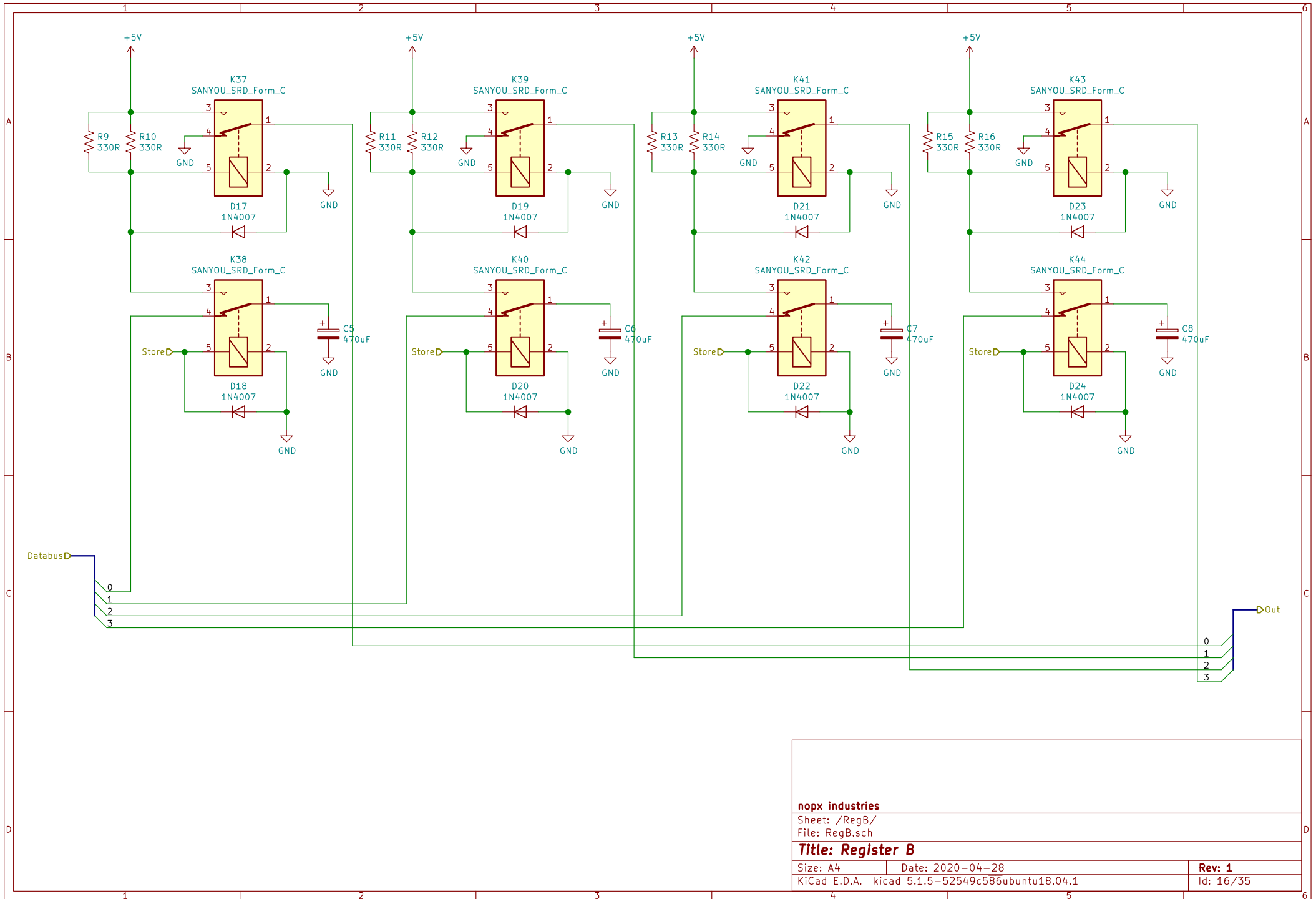
nopx industries

Sheet: /DatabusMux/DatabusMux_Lvl0_1/
File: DatabusMux_Lvl0_1.sch

Title:

Size: A4 Date: 2020-04-28
KiCad E.D.A. kicad 5.1.5-52549c586ubuntu18.04.1

Rev: 1
Id: 15/35



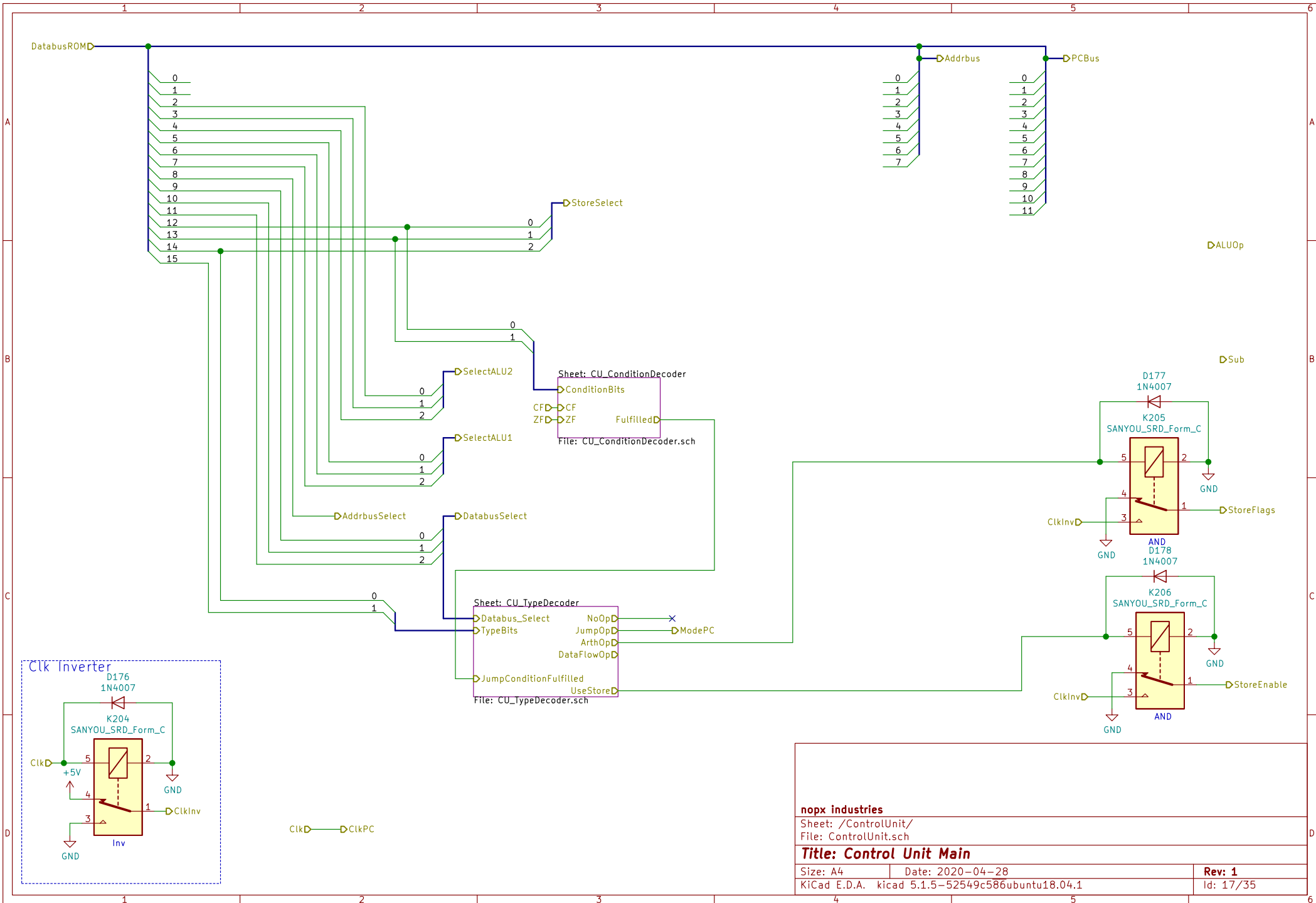
nopx industries

Sheet: /RegB/
File: RegB.sch

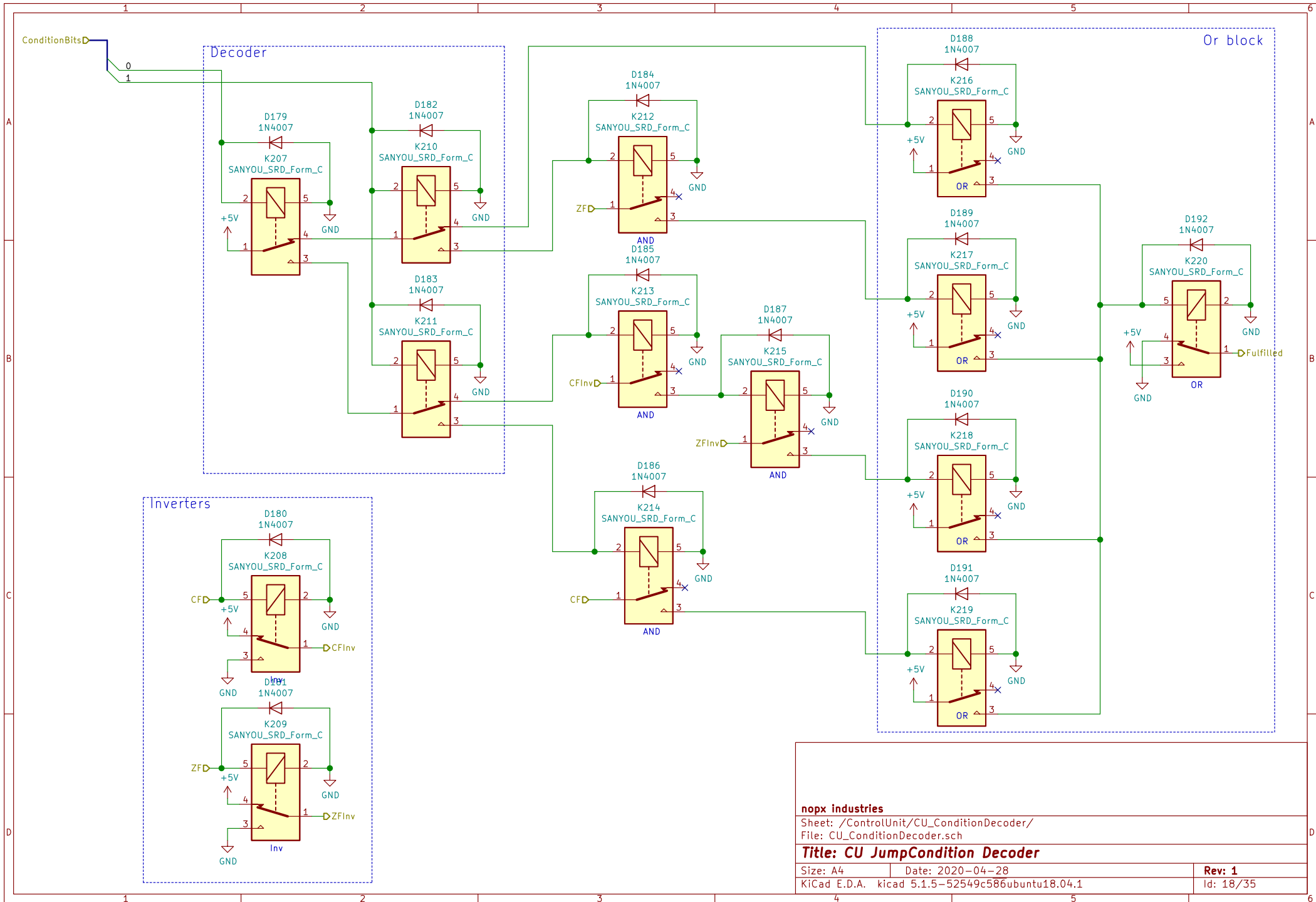
Title: Register B

Size: A4 Date: 2020-04-28
KiCad E.D.A. kicad 5.1.5-52549c586ubuntu18.04.1

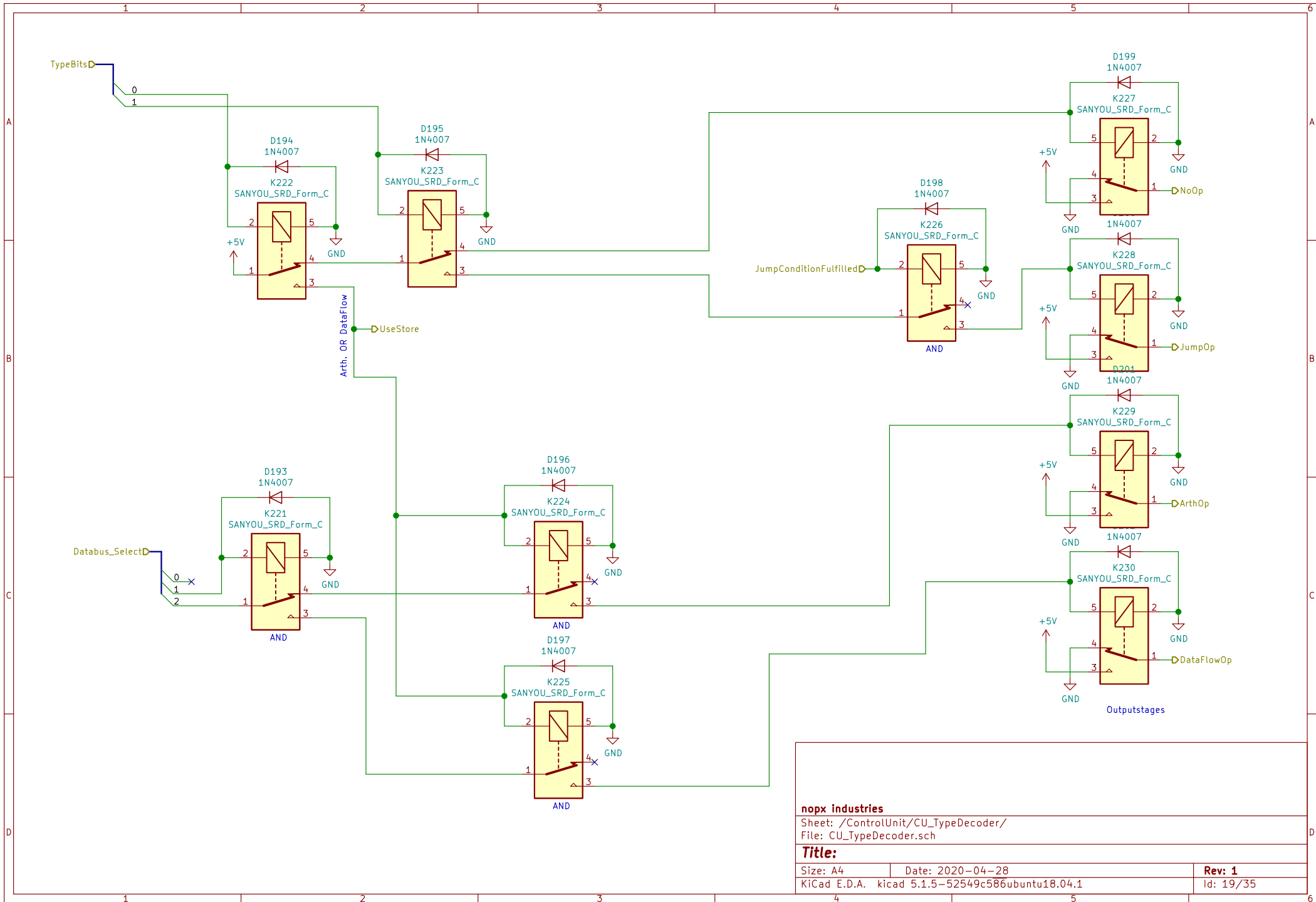
Rev: 1
Id: 16/35



nopx industries		
Sheet: /ControlUnit/		
File: ControlUnit.sch		
Title: Control Unit Main		
Size: A4	Date: 2020-04-28	Rev: 1
KiCad E.D.A. kicad 5.1.5-52549c586ubuntu18.04.1		Id: 17/35



nopx industries		
Sheet: /ControlUnit/CU_ConditionDecoder/		
File: CU_ConditionDecoder.sch		
Title: CU JumpCondition Decoder		
Size: A4	Date: 2020-04-28	Rev: 1
KiCad E.D.A. kicad 5.1.5-52549c586ubuntu18.04.1		Id: 18/35



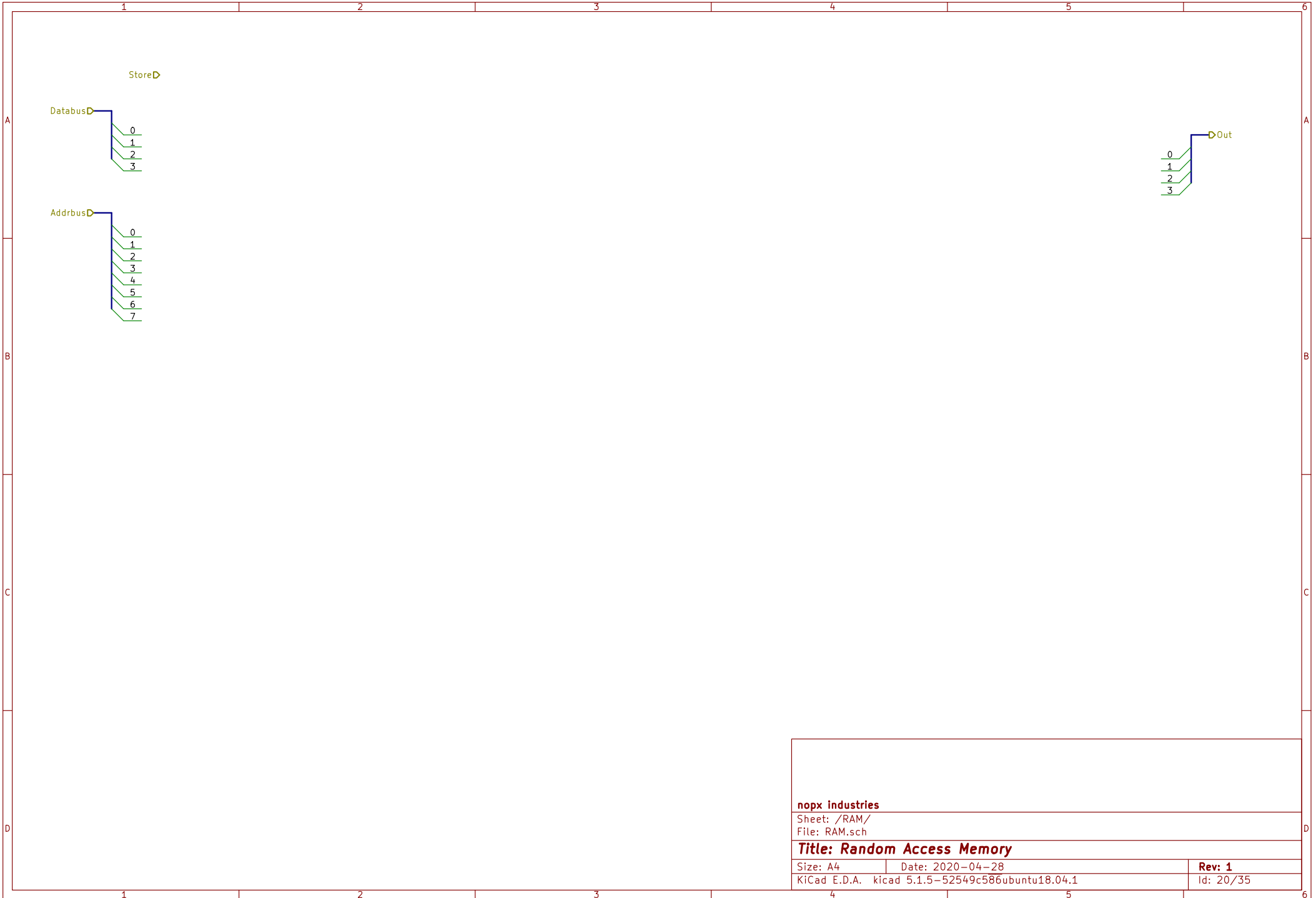
nopx industries

Sheet: /ControlUnit/CU_TypeDecoder/
File: CU_TypeDecoder.sch

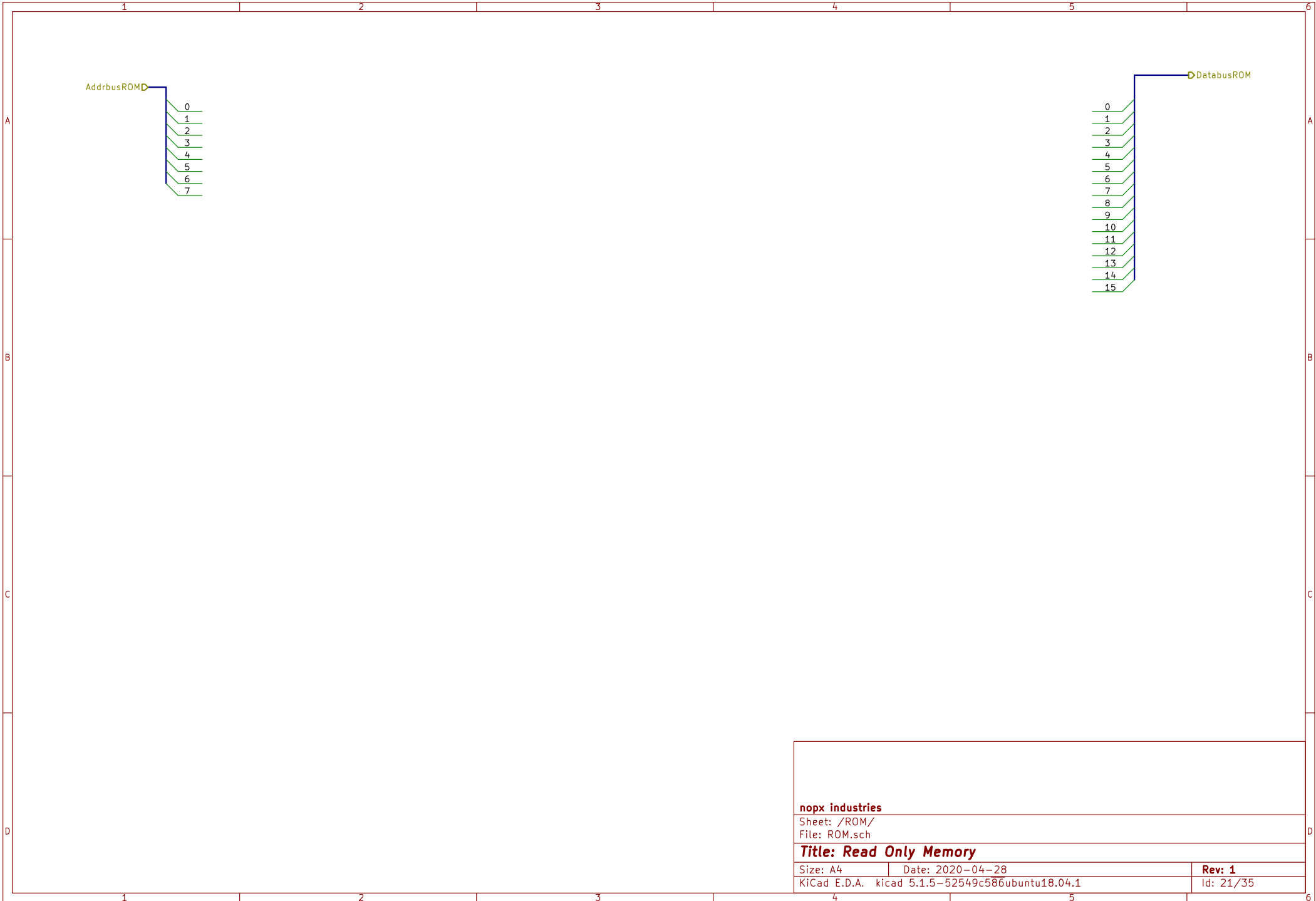
Title:

Size: A4 Date: 2020-04-28
KiCad E.D.A. kicad 5.1.5-52549c586ubuntu18.04.1

Rev: 1
Id: 19/35



nopx industries	
Sheet: /RAM/ File: RAM.sch	
Title: Random Access Memory	
Size: A4	Date: 2020-04-28
KiCad E.D.A. kicad 5.1.5-52549c586ubuntu18.04.1	Rev: 1
	Id: 20/35



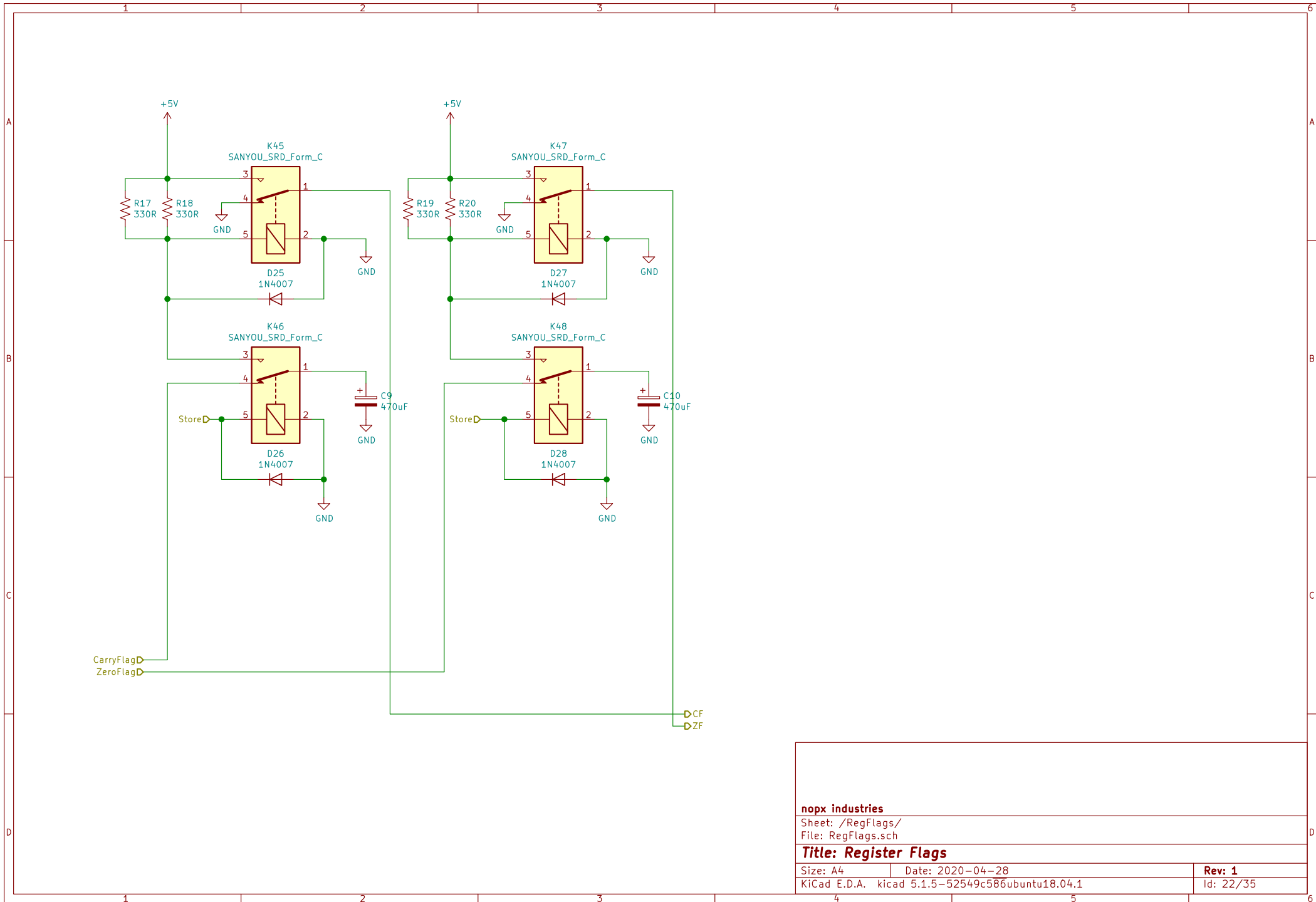
nopx industries

Sheet: /ROM/
File: ROM.sch

Title: Read Only Memory

Size: A4 Date: 2020-04-28
KiCad E.D.A. kicad 5.1.5-52549c586ubuntu18.04.1

Rev: 1
Id: 21/35



nopx industries

Sheet: /RegFlags/

File: RegFlags.sch

Title: Register Flags

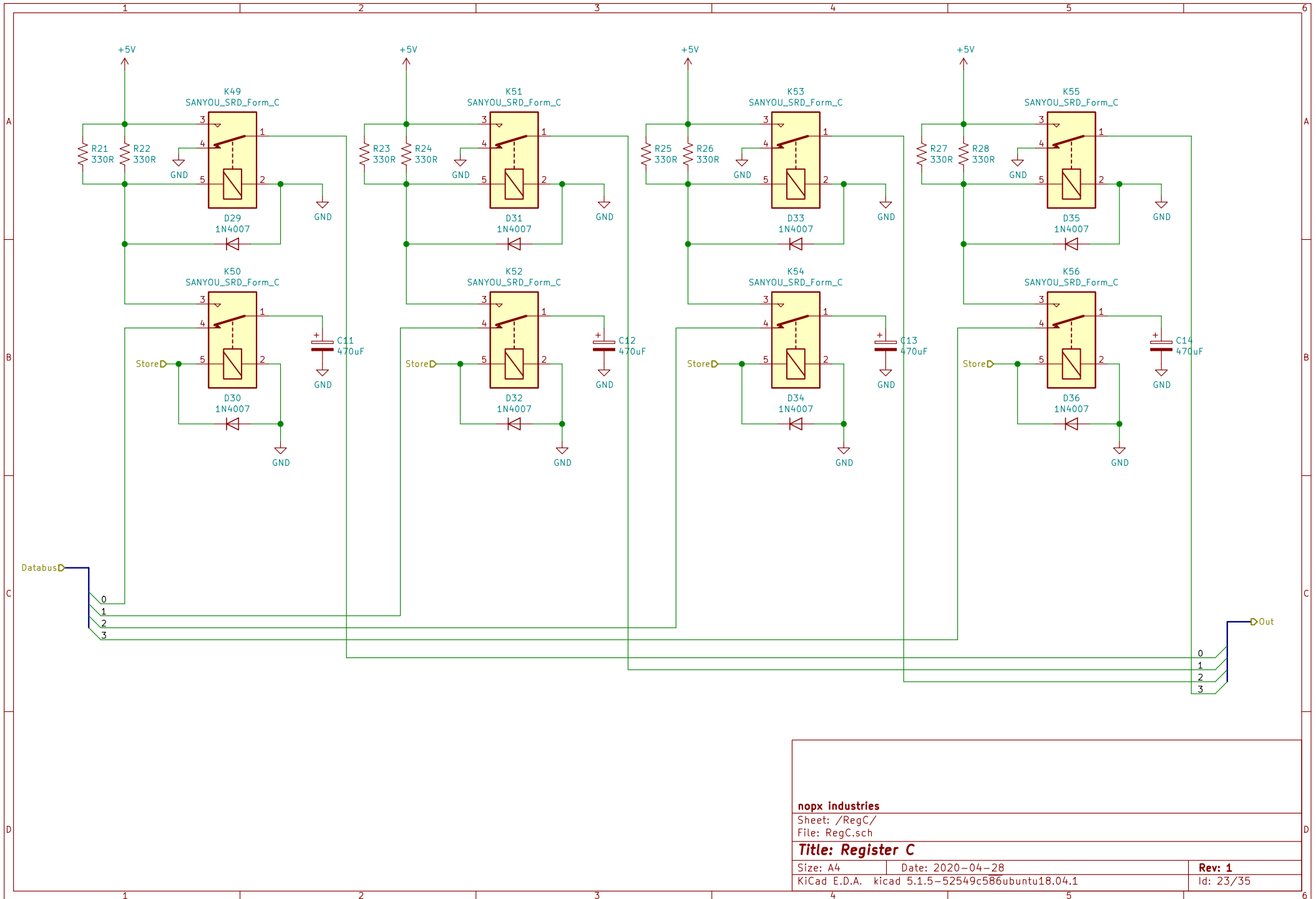
Size: A4

Date: 2020-04-28

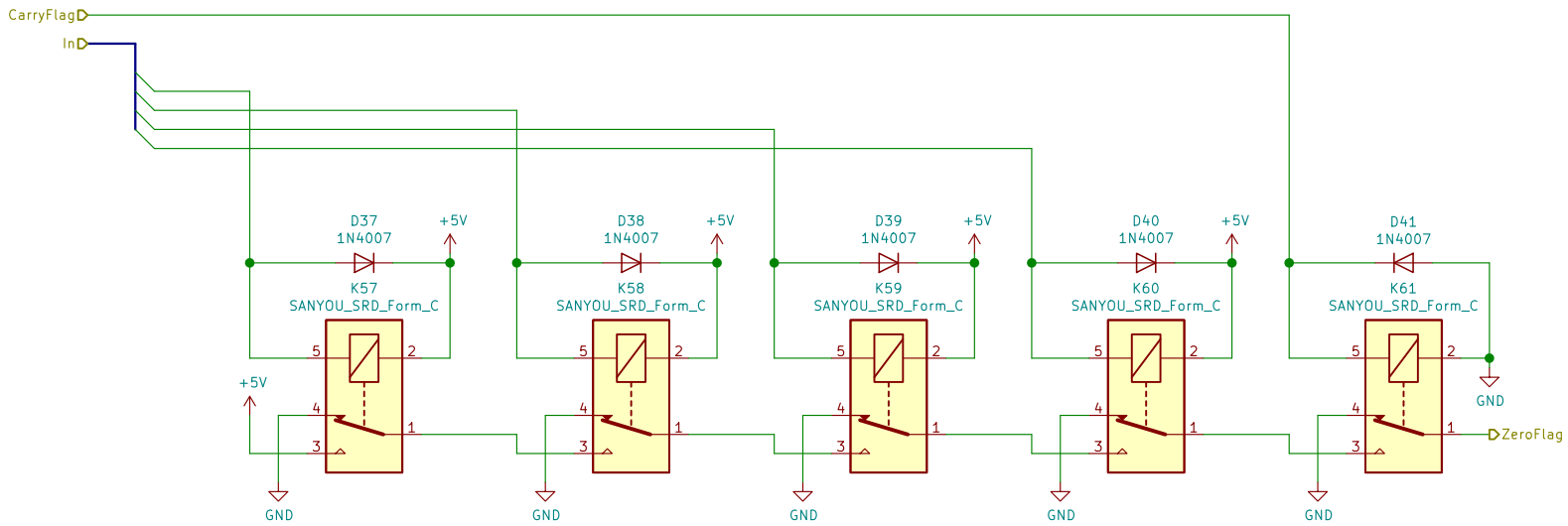
Rev: 1

KiCad E.D.A. kicad 5.1.5-52549c586ubuntu18.04.1

Id: 22/35



nopx industries	
Sheet: /RegC/	
File: RegC.sch	
Title: Register C	
Size: A4	Date: 2020-04-28
KiCad E.D.A. kicad 5.1.5-52549c586ubuntu18.04.1	Rev: 1
	Id: 23/35



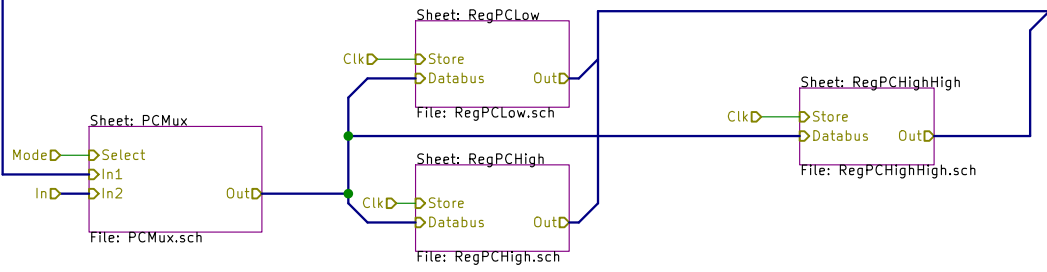
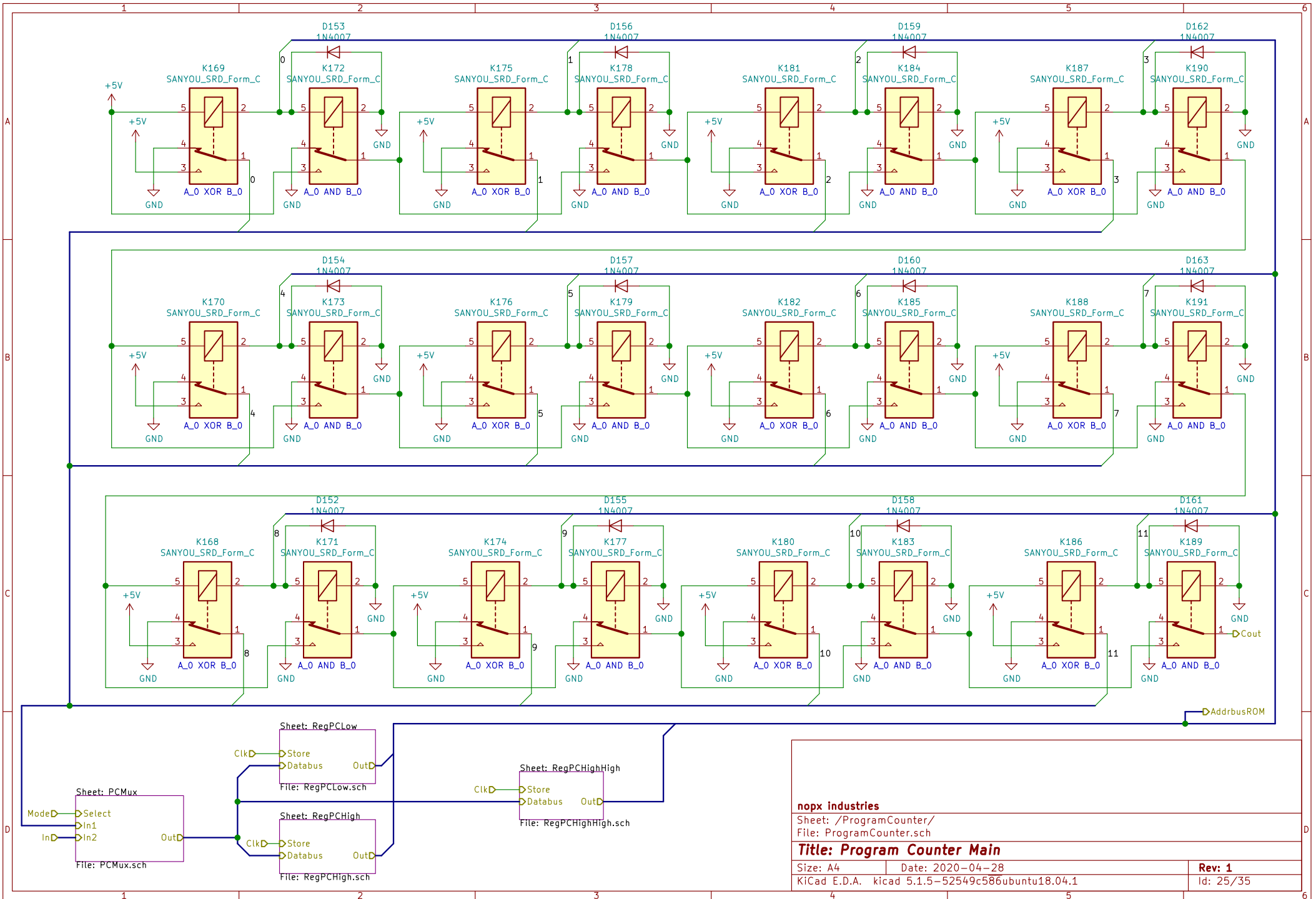
nopx industries

Sheet: /ZeroDetection/
File: ZeroDetection.sch

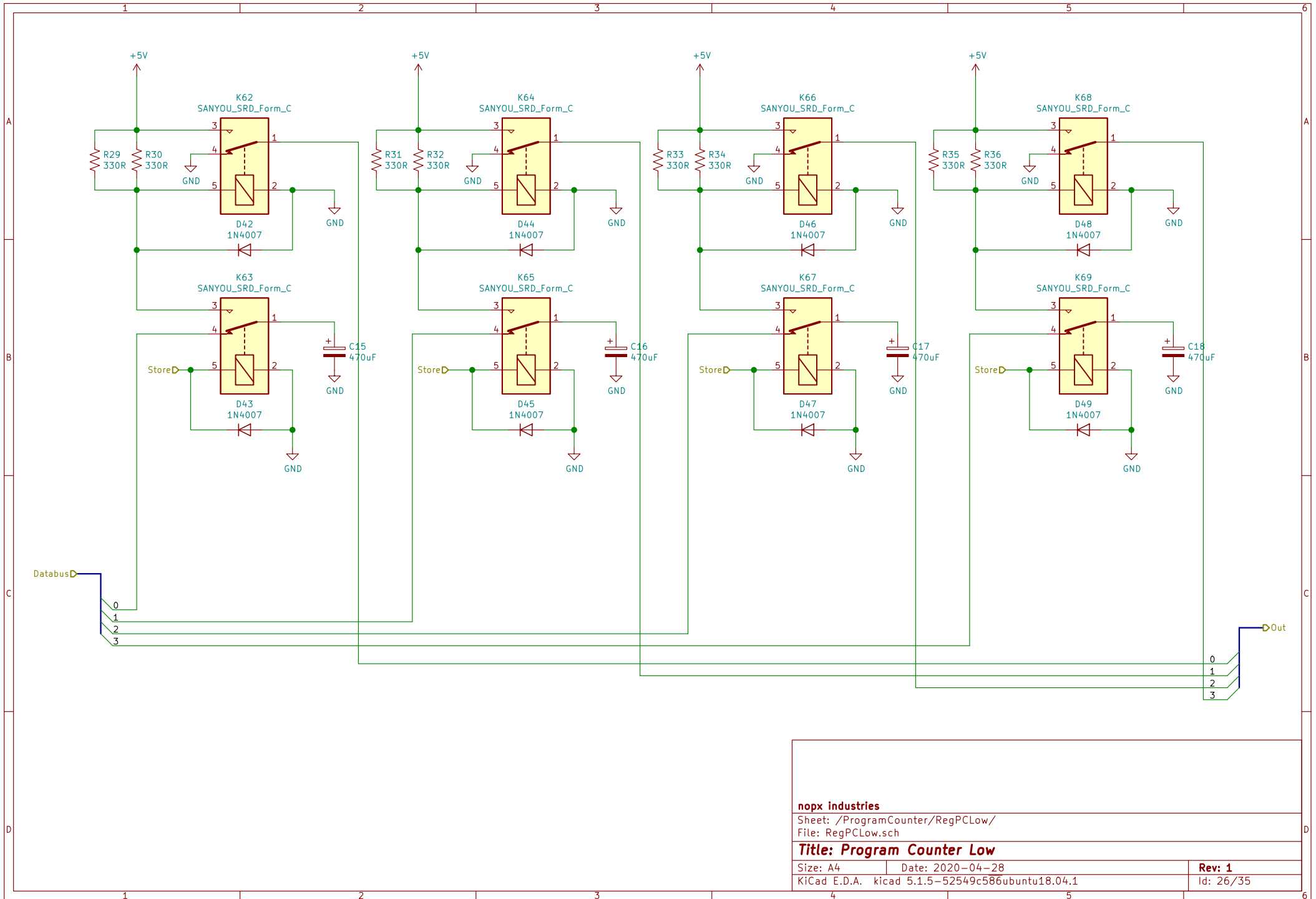
Title: Zero Detection

Size: A4 Date: 2020-04-28
KiCad E.D.A. kicad 5.1.5-52549c586ubuntu18.04.1

Rev: 1
Id: 24/35



nopx industries		
Sheet: /ProgramCounter/ File: ProgramCounter.sch		
Title: Program Counter Main		
Size: A4	Date: 2020-04-28	Rev: 1
KiCad E.D.A. kicad 5.1.5-52549c586ubuntu18.04.1		Id: 25/35



nopx industries

Sheet: /ProgramCounter/RegPCLow/
File: RegPCLow.sch

Title: Program Counter Low

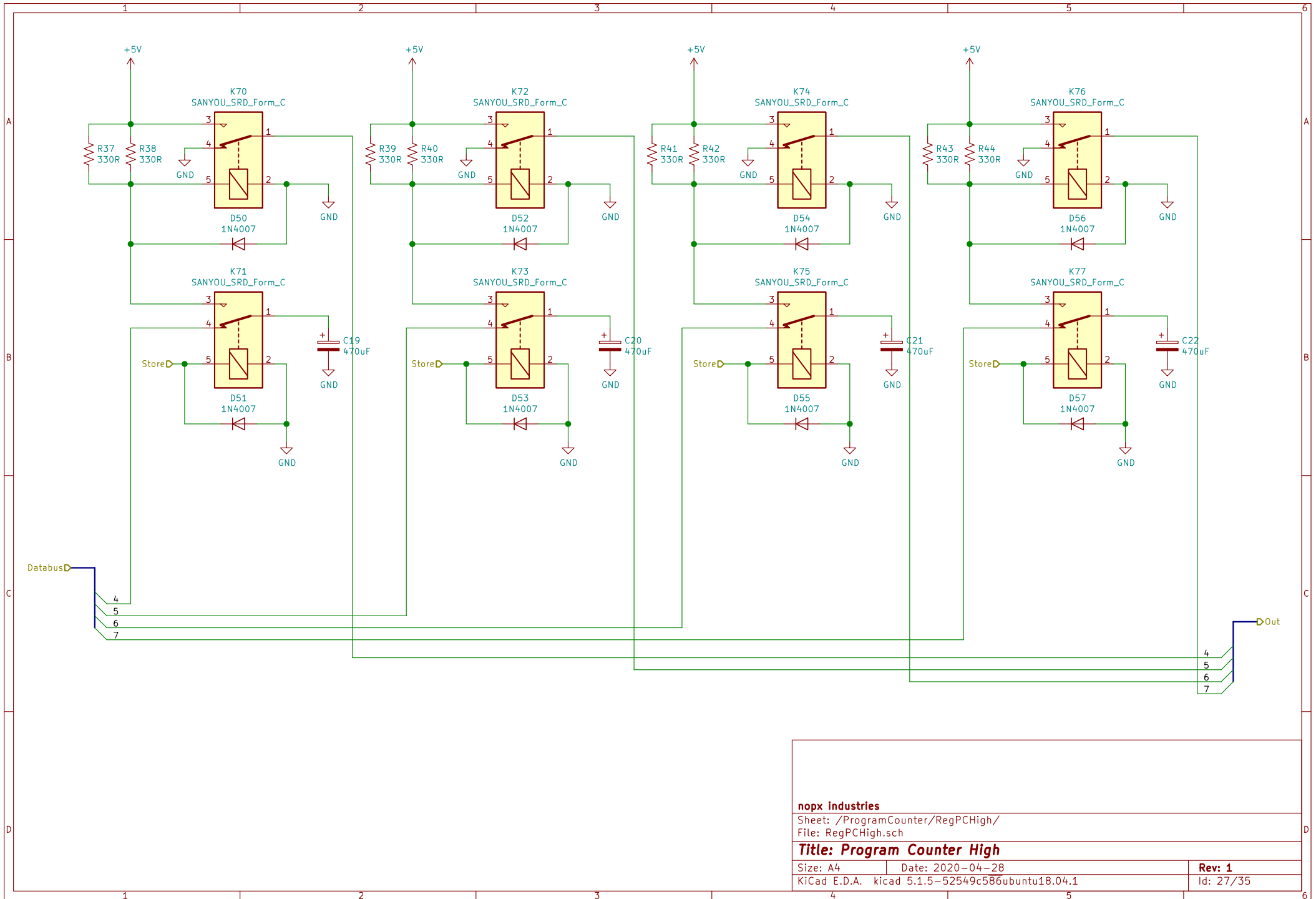
Size: A4

Date: 2020-04-28

Rev: 1

KiCad E.D.A. kicad 5.1.5-52549c586ubuntu18.04.1

Id: 26/35



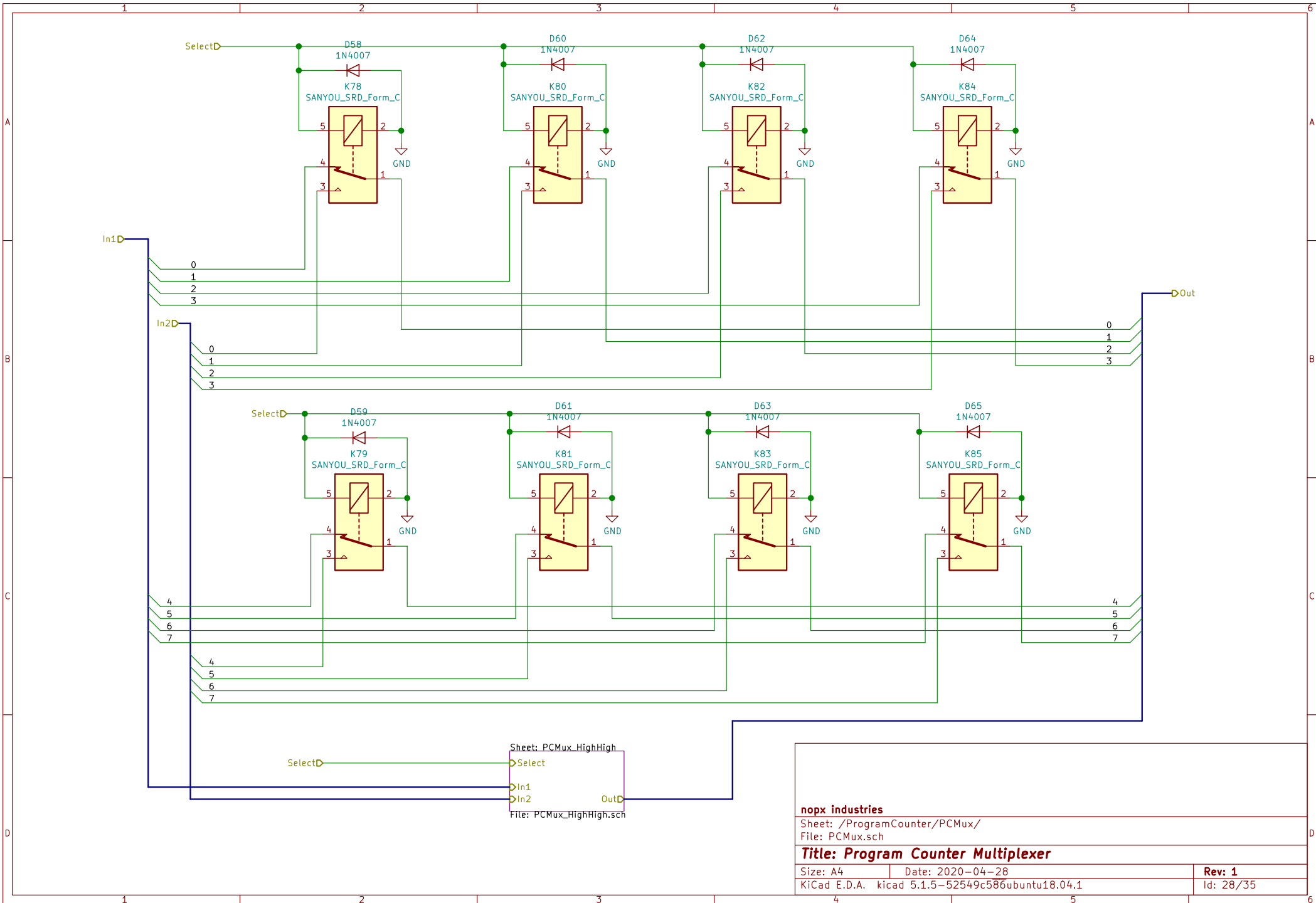
nopx industries

Sheet: /ProgramCounter/RegPCHigh/
File: RegPCHigh.sch

Title: Program Counter High

Size: A4 Date: 2020-04-28
KiCad E.D.A. kicad 5.1.5-52549c586ubuntu18.04.1

Rev: 1
Id: 27/35



Sheet: PCMux_HighHigh
 Select
 In1
 In2
 OutD
 File: PCMux_HighHigh.sch

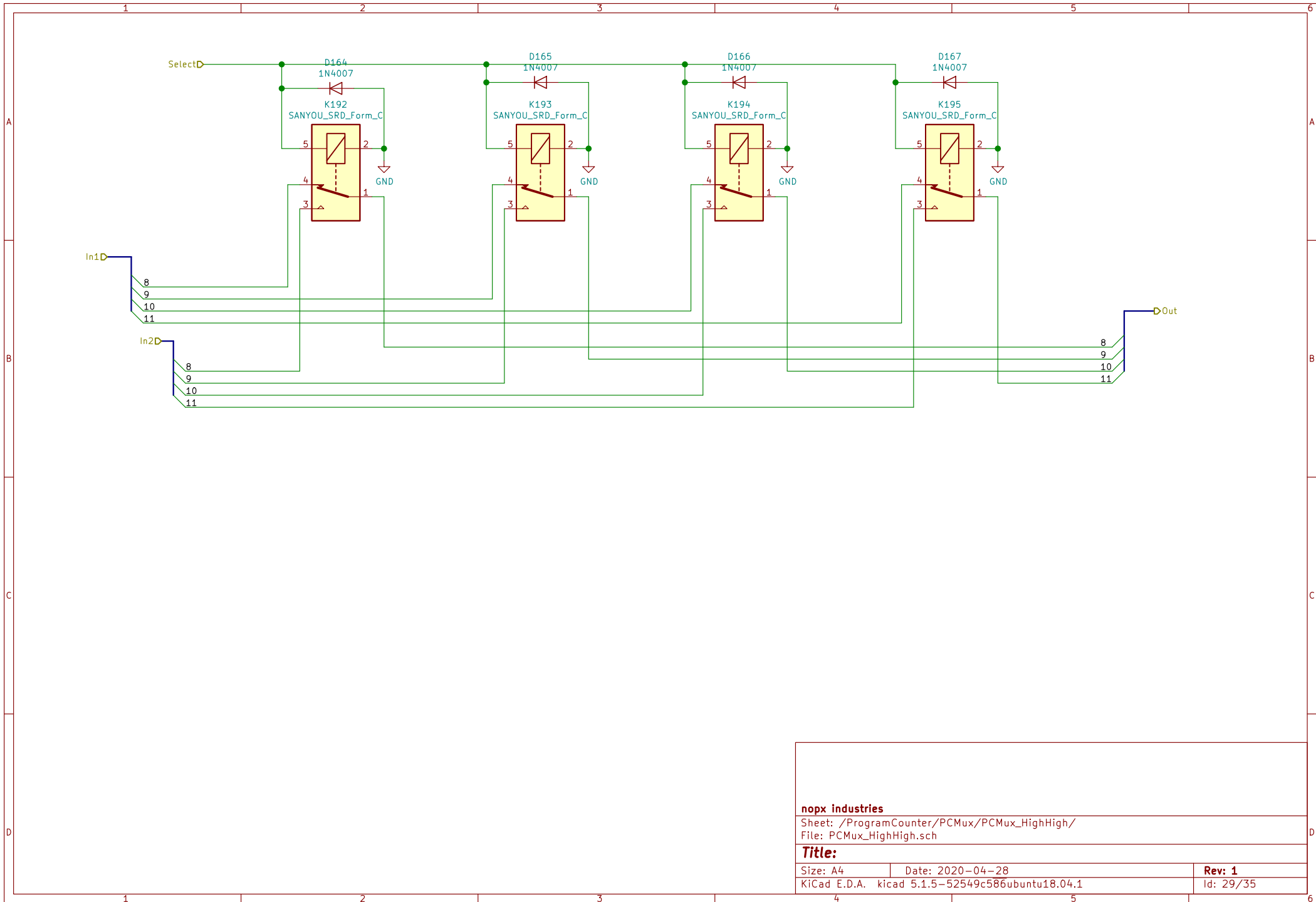
nopx industries

Sheet: /ProgramCounter/PCMux/
 File: PCMux.sch

Title: Program Counter Multiplexer

Size: A4 Date: 2020-04-28
 KiCad E.D.A. kicad 5.1.5-52549c586ubuntu18.04.1

Rev: 1
 Id: 28/35



nopx industries

Sheet: /ProgramCounter/PCmux/PCmux_HighHigh/
File: PCmux_HighHigh.sch

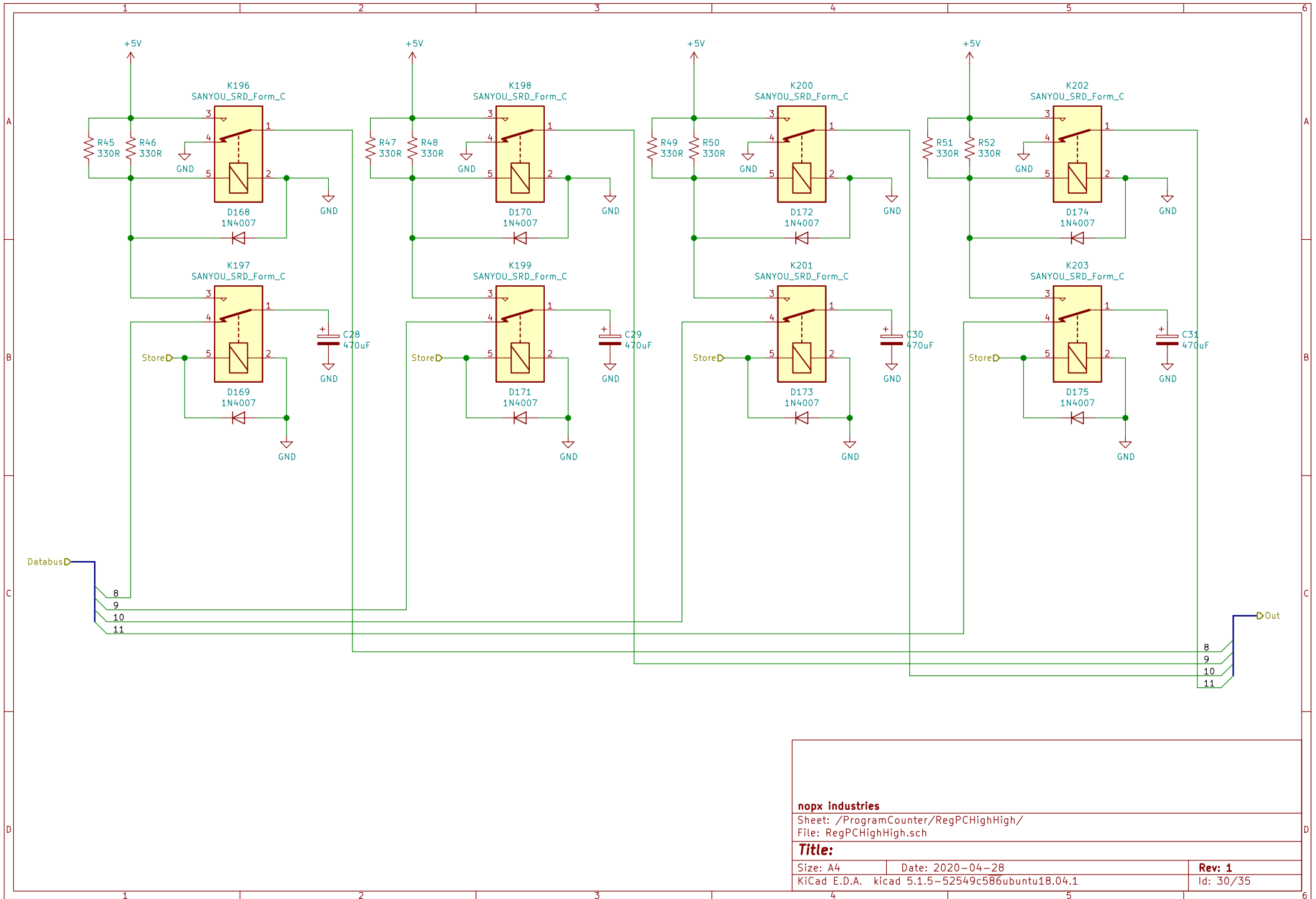
Title:

Size: A4 Date: 2020-04-28

KiCad E.D.A. kicad 5.1.5-52549c586ubuntu18.04.1

Rev: 1

Id: 29/35



nopx industries

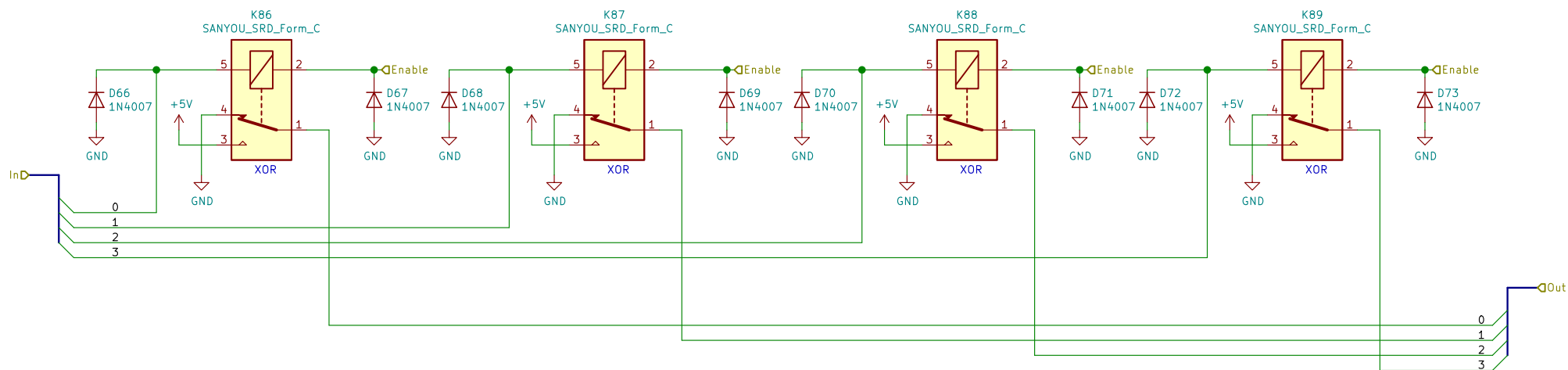
Sheet: /ProgramCounter/RegPCHighHigh/
File: RegPCHighHigh.sch

Title:

Size: A4 Date: 2020-04-28
KiCad E.D.A. kicad 5.1.5-52549c586ubuntu18.04.1

Rev: 1
Id: 30/35

Sind die Dioden so sinnvoll?



nopx industries

Sheet: /Inverter/

File: Inverter.sch

Title: (Controlled) Inverter

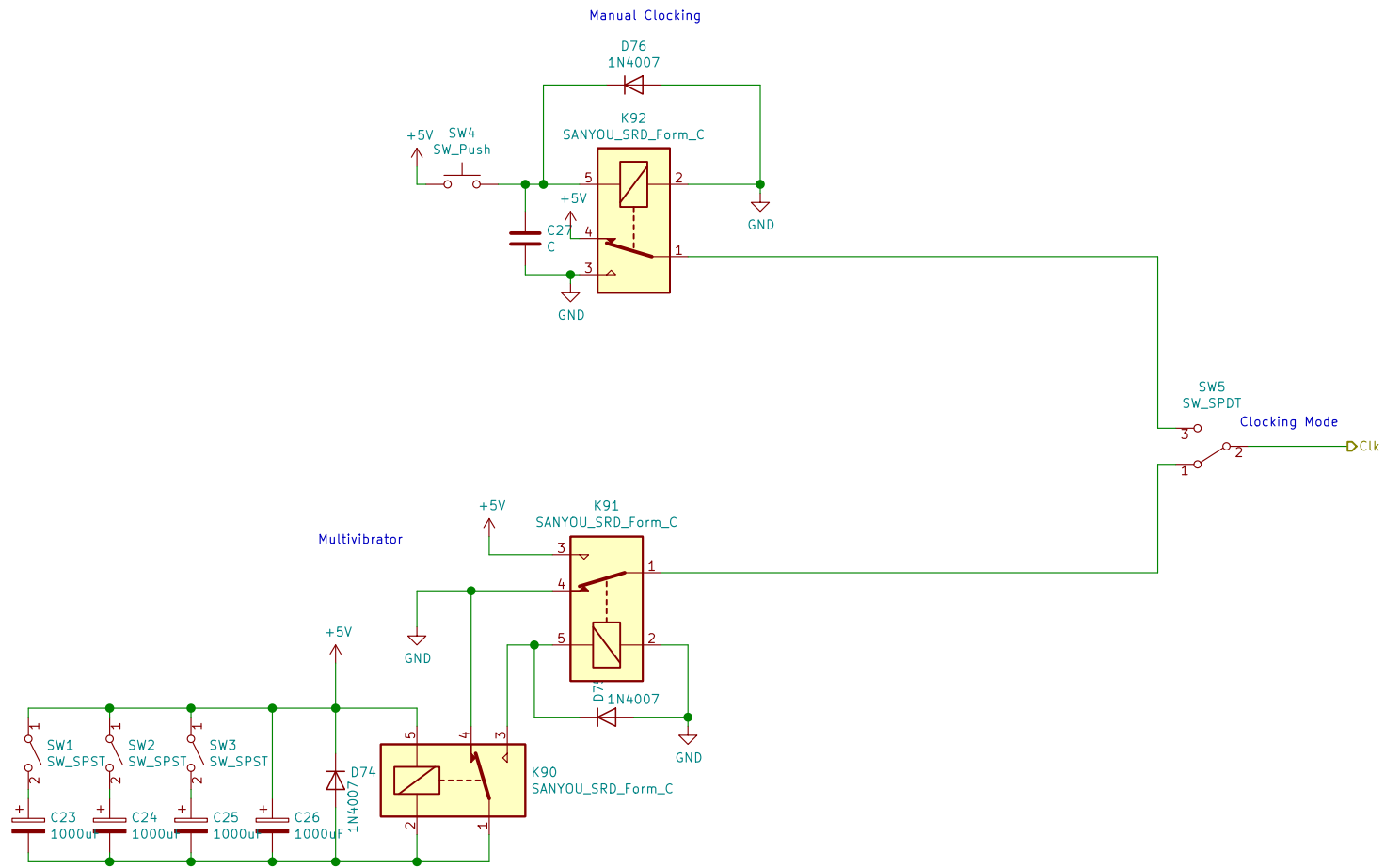
Size: A4

Date: 2020-04-28

Rev: 1

KiCad E.D.A. kicad 5.1.5-52549c586ubuntu18.04.1

Id: 31/35



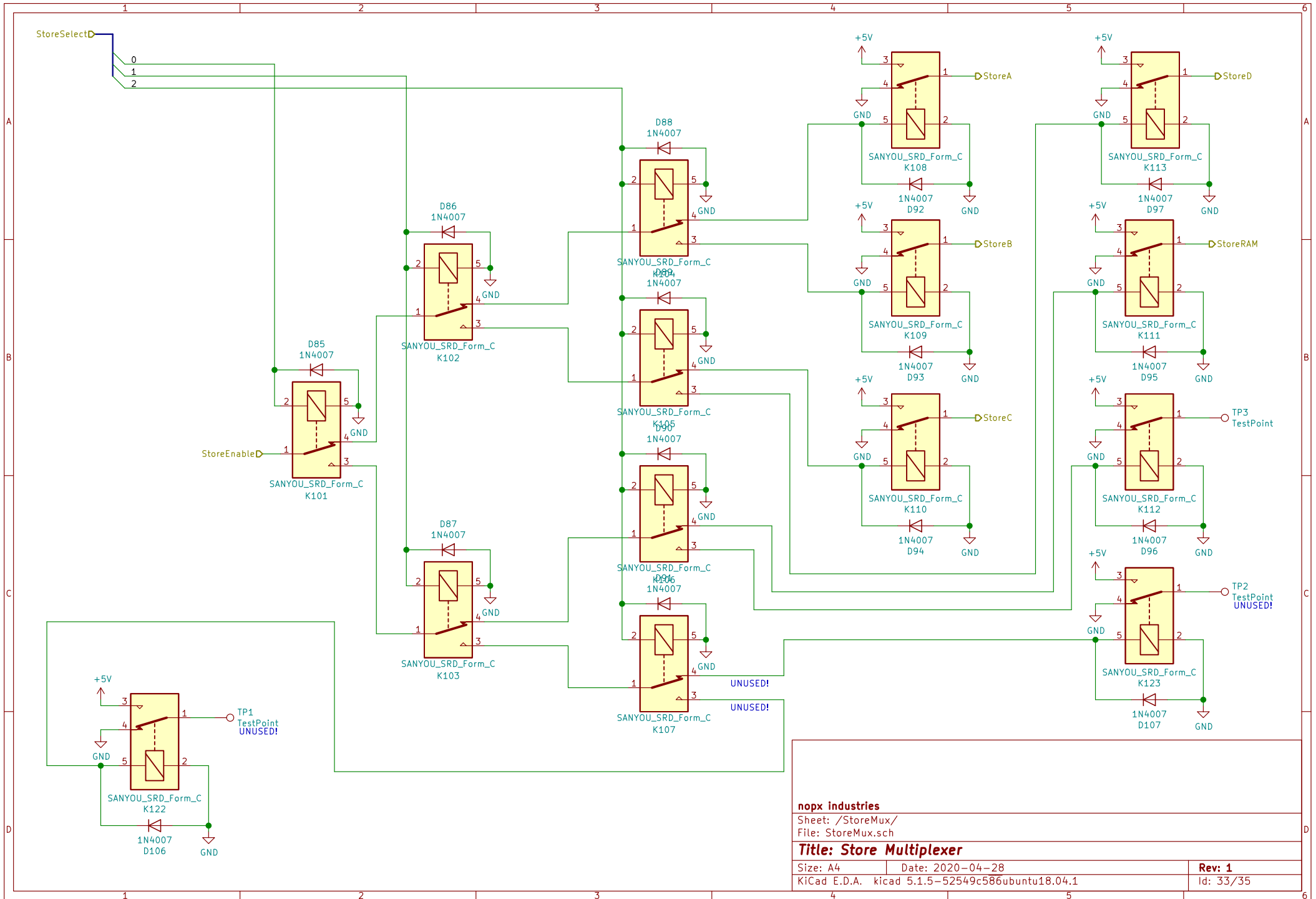
nopx industries

Sheet: /Clock/
File: Clock.sch

Title: Clock

Size: A4 Date: 2020-04-28
KiCad E.D.A. kicad 5.1.5-52549c586ubuntu18.04.1

Rev: 1
Id: 32/35



nopx industries

Sheet: /StoreMux/

File: StoreMux.sch

Title: Store Multiplexer

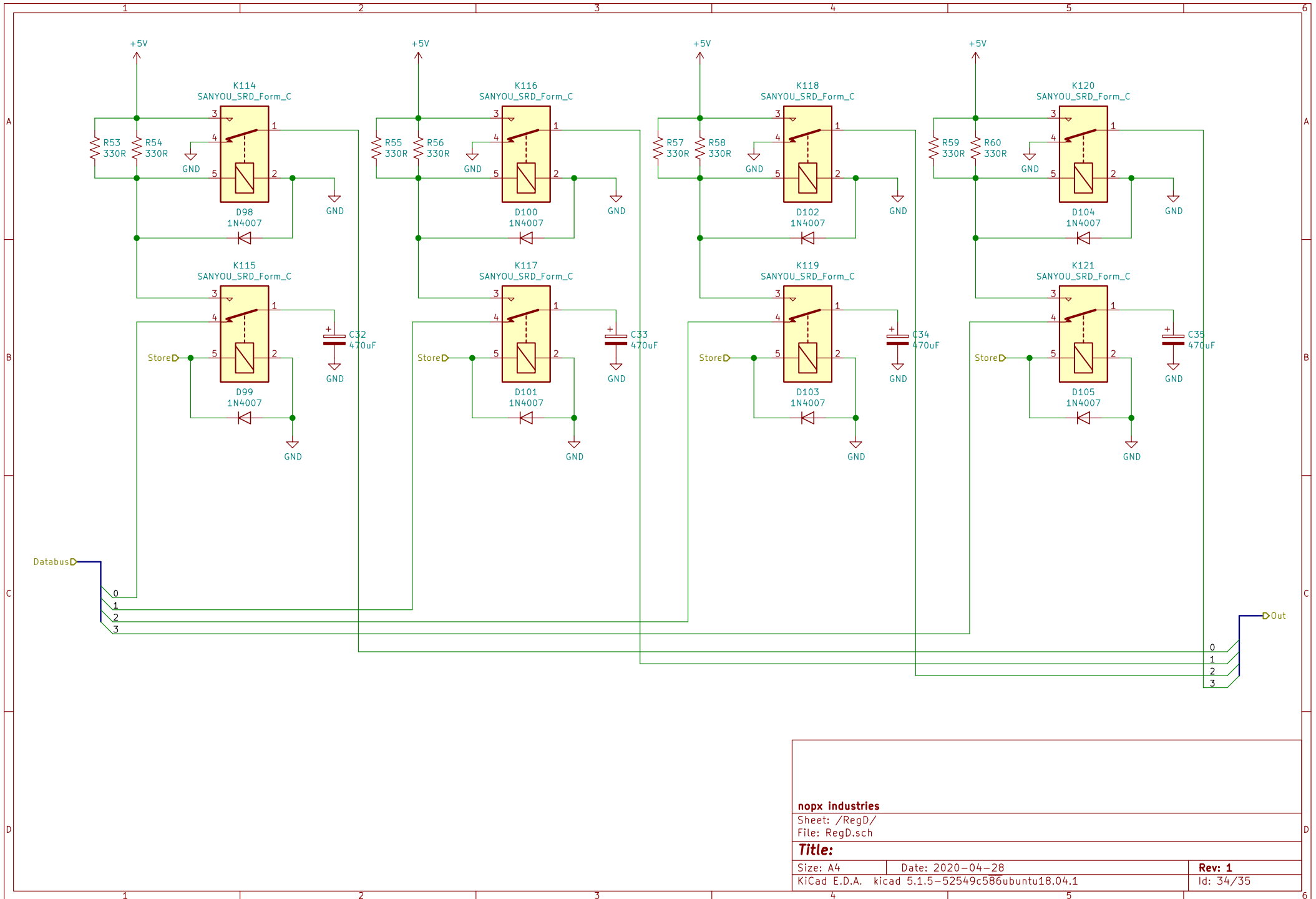
Size: A4

Date: 2020-04-28

KiCad E.D.A. kicad 5.1.5-52549c586ubuntu18.04.1

Rev: 1

Id: 33/35



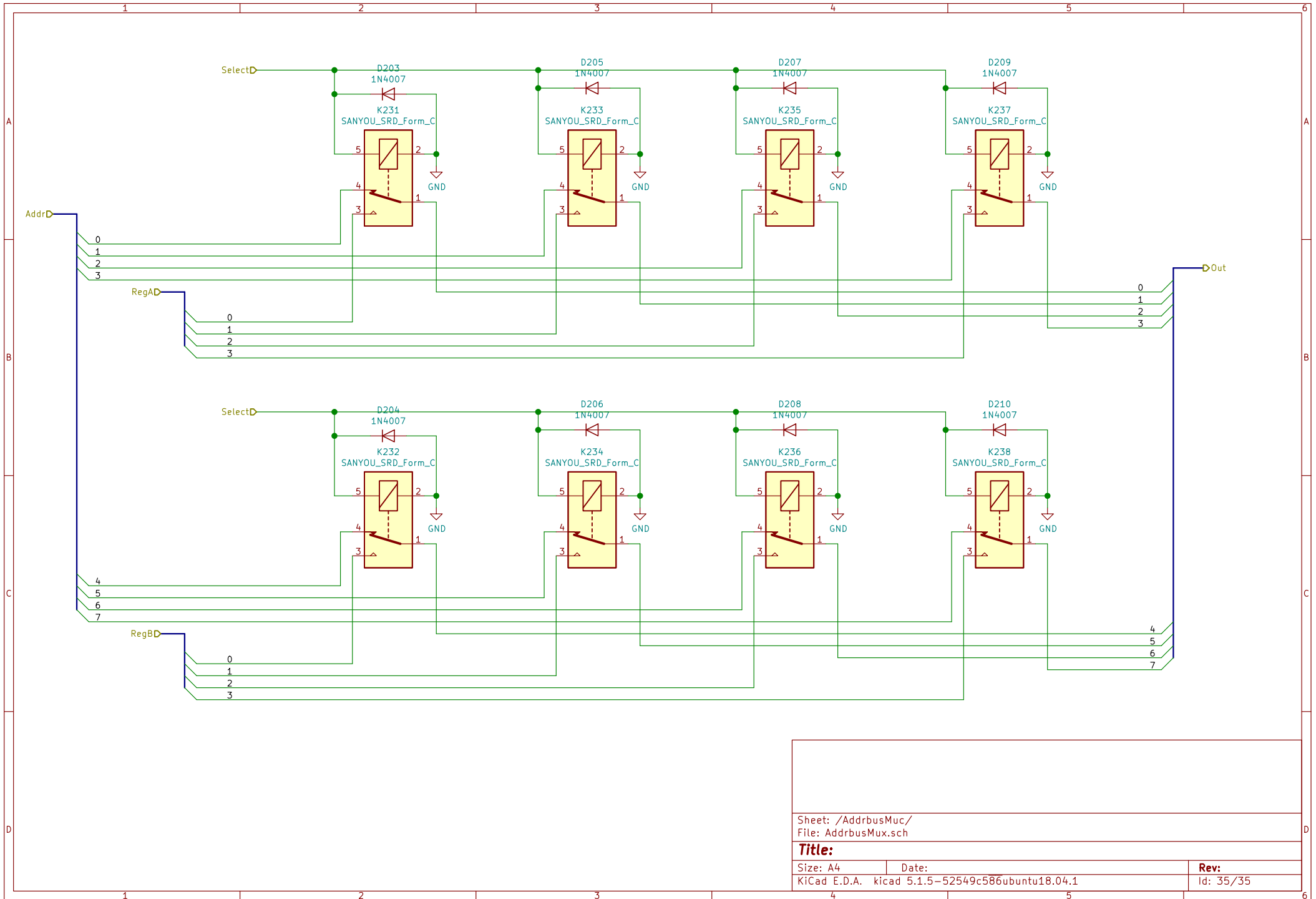
nopx industries

Sheet: /RegD/
File: RegD.sch

Title:

Size: A4 Date: 2020-04-28
KiCad E.D.A. kicad 5.1.5-52549c586ubuntu18.04.1

Rev: 1
Id: 34/35



Sheet: /AddrbusMuc/
 File: AddrbusMux.sch

Title:

Size: A4 Date:
 KiCad E.D.A. kicad 5.1.5-52549c586ubuntu18.04.1

Rev:
 Id: 35/35