

The pcbs are made with much more components.  
 This schematic only includes the functional parts.

**vspace.one**

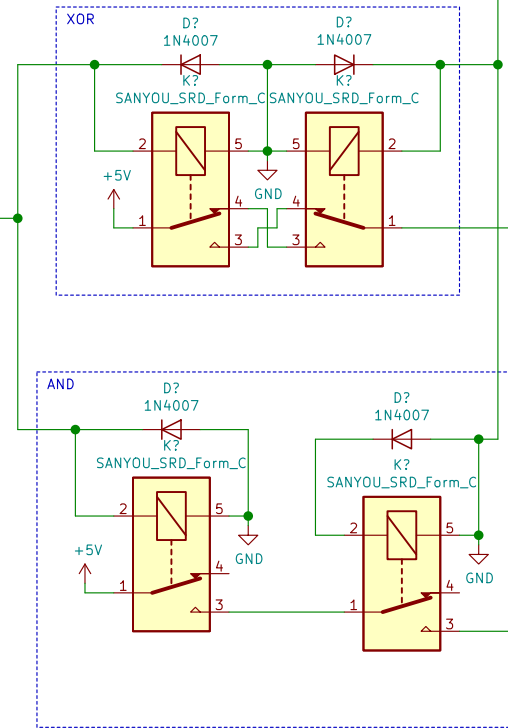
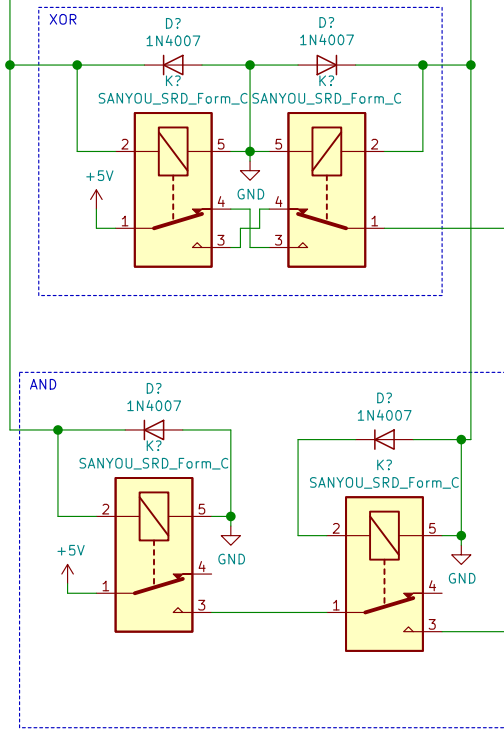
Sheet: /  
 File: Schematics.sch

**Title: 4 Bit Relay Adder (functional schematic)**

Size: A4 Date: 2020-05-11  
 KiCad E.D.A. kicad 5.1.5-52549c586ubuntu18.04.1

Rev: 1  
 Id: 1/6

A\_0D  
B\_0D  
C\_0D



The pcbs are made with much more components.  
This schematic only includes the functional parts.

**vspace.one**

Sheet: /OneBitAdder0/

File: OneBitAdder0.sch

**Title: 1 Bit Full Adder (functional schematic)**

Size: A4

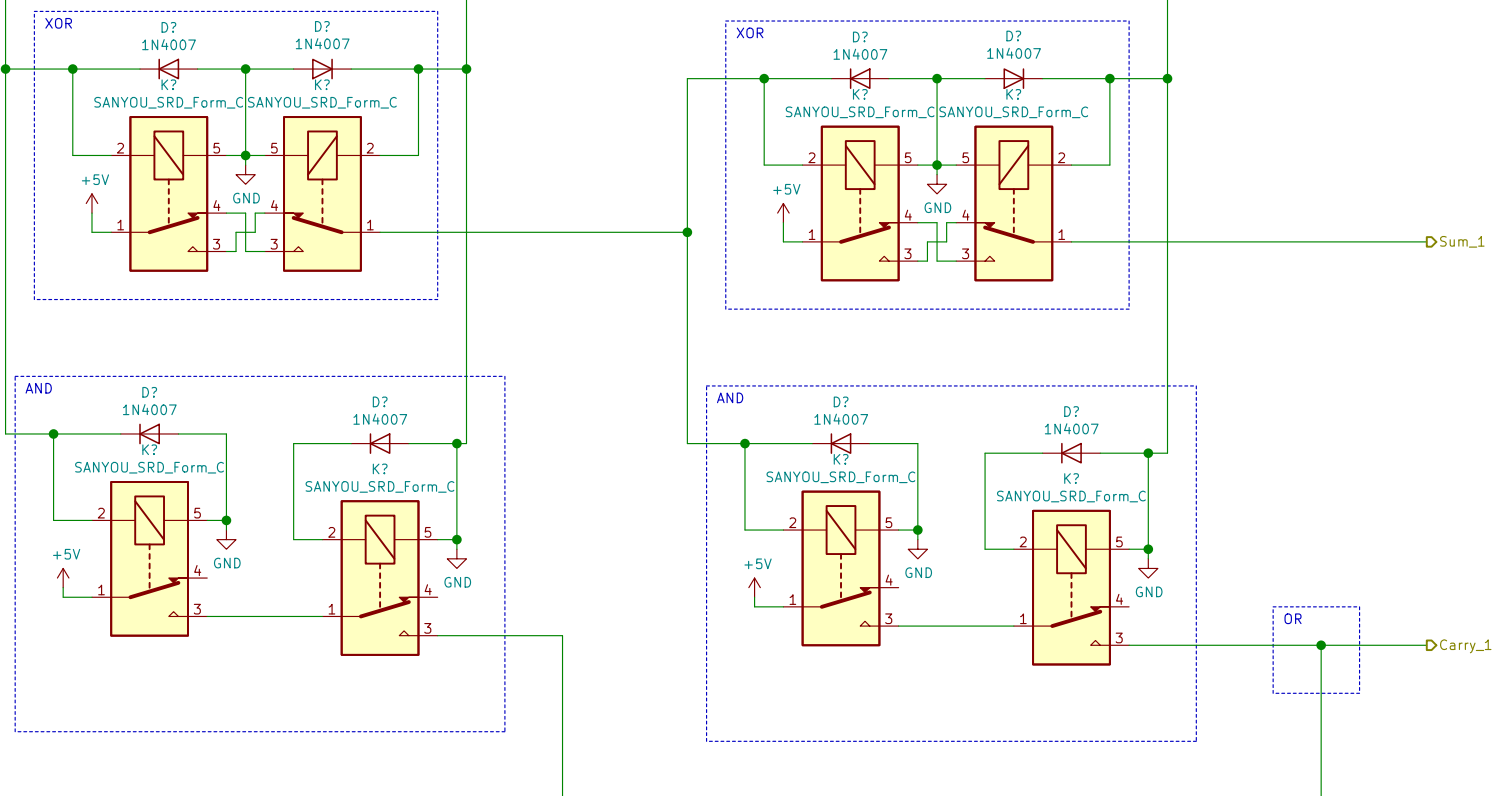
Date: 2020-05-11

Rev: 1

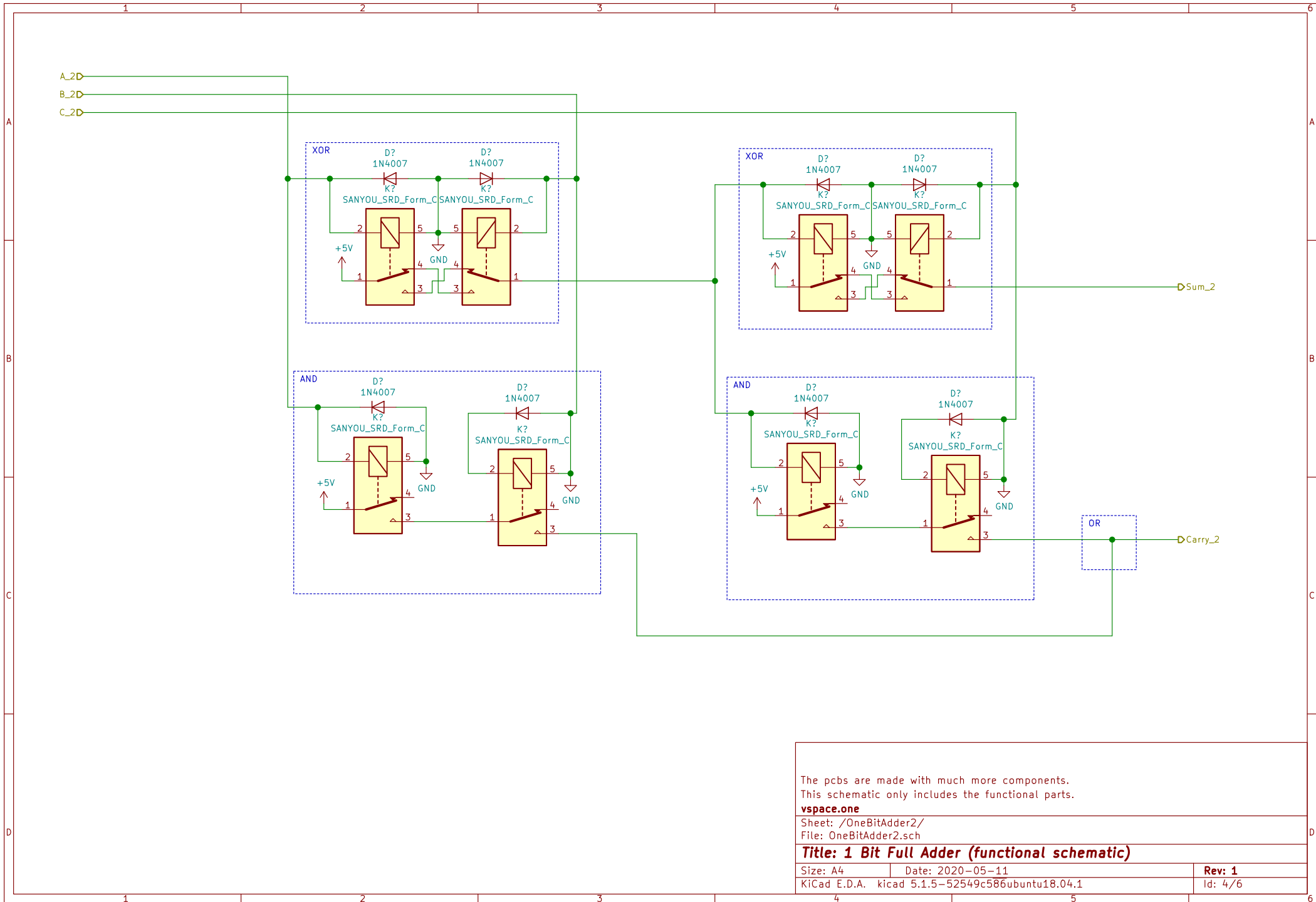
KiCad E.D.A. kicad 5.1.5-52549c586ubuntu18.04.1

Id: 2/6

A\_1D  
B\_1D  
C\_1D



The pcbs are made with much more components.  
This schematic only includes the functional parts.  
**vspace.one**  
Sheet: /OneBitAdder1/  
File: OneBitAdder1.sch  
**Title: 1 Bit Full Adder (functional schematic)**  
Size: A4 | Date: 2020-05-11 | Rev: 1  
KiCad E.D.A. kicad 5.1.5-52549c586ubuntu18.04.1 | Id: 3/6



The pcbs are made with much more components.  
 This schematic only includes the functional parts.

**vspace.one**

Sheet: /OneBitAdder2/

File: OneBitAdder2.sch

**Title: 1 Bit Full Adder (functional schematic)**

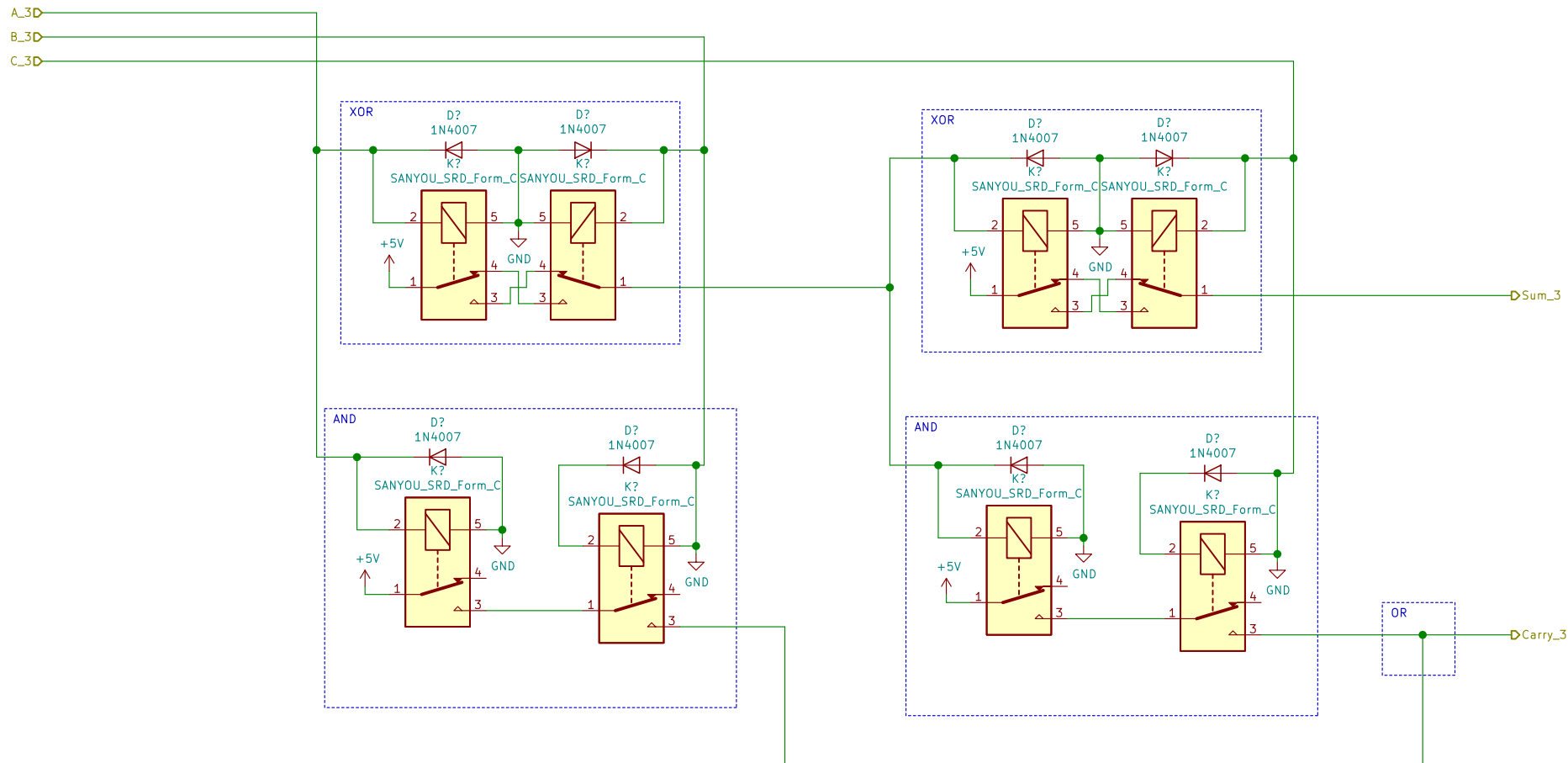
Size: A4

Date: 2020-05-11

Rev: 1

KiCad E.D.A. kicad 5.1.5-52549c586ubuntu18.04.1

Id: 4/6

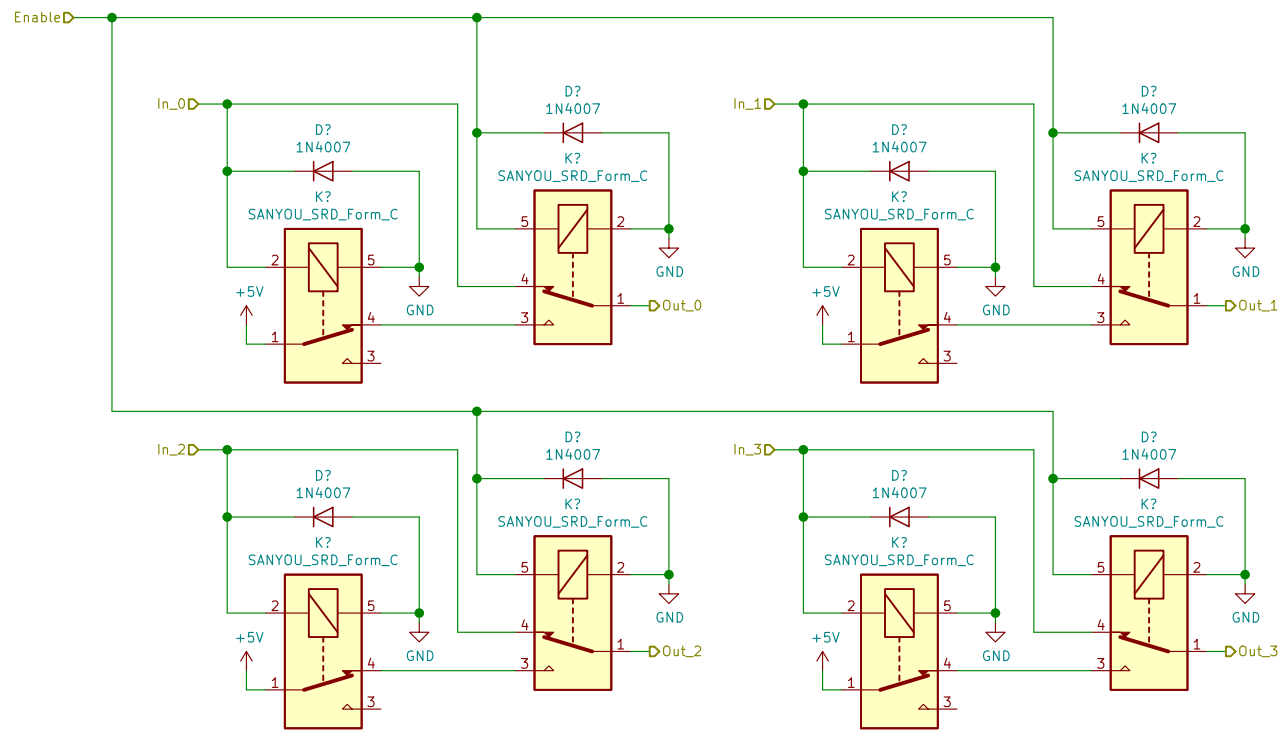


The pcbs are made with much more components.  
 This schematic only includes the functional parts.  
**vspace.one**

Sheet: /OneBitAdder3/  
 File: OneBitAdder3.sch

**Title: 1 Bit Full Adder (functional schematic)**

Size: A4	Date: 2020-05-11	Rev: 1
KiCad E.D.A. kicad 5.1.5-52549c586ubuntu18.04.1		Id: 5/6



The pcbs are made with much more components.  
 This schematic only includes the functional parts.

**vspace.one**

Sheet: /Inverter/  
 File: Inverter.sch

**Title: 4 Bit Controlled Inverter (functional schematic)**

Size: A4 Date: 2020-05-11  
 KiCad E.D.A. kicad 5.1.5-52549c586ubuntu18.04.1

Rev: 1  
 Id: 6/6